

1-796634-0 ✓ ACTIVE

Buchanan

TE Internal #: 1-796634-0

PCB Terminal Blocks, Plug, Wire-to-Board, 10 Position, .2 in [5.08 mm] Centerline, 1 Row, 180° Wire Entry Angle, 30 - 12 AWG Wire Size

[View on TE.com >](#)



Connectors > Terminal Blocks & Strips > PCB Terminal Blocks



Terminal Block Connector Type: **Plug**

Connector System: **Wire-to-Board**

Number of Positions: **10**

Centerline (Pitch): **5.08 mm [.2 in]**

Number of Rows: **1**

Features

Product Type Features

Wire Protection	With
Terminal Block Connector Type	Plug
Connector System	Wire-to-Board
Connector & Contact Terminates To	Wire & Cable

Configuration Features

Stacked Levels	With
Wire Entry Location	Side
Stacking Configuration	Side Stackable
Number of Positions	10
Number of Rows	1
Wire Entry Angle	180°

Electrical Characteristics

Operating Voltage	300 VAC
-------------------	---------

Body Features



Primary Product Color	Green
-----------------------	-------

Product Orientation	Right Angle
---------------------	-------------

Contact Features

Contact Mating Area Plating Material	Tin
--------------------------------------	-----

Contact Base Material	Phosphor Bronze
-----------------------	-----------------

Contact Current Rating (Max)	15 A
------------------------------	------

Mechanical Attachment

Screw Plating Material	Nickel
------------------------	--------

Screw Material	Brass
----------------	-------

Thread Size	M3
-------------	----

Housing Features

Housing Material	PA 66
------------------	-------

Centerline (Pitch)	5.08 mm [.2 in]
--------------------	-----------------

Dimensions

Wire Size	.05 - 3 mm ²
-----------	-------------------------

Usage Conditions

Operating Temperature Range	-40 - 105 °C [-40 - 221 °F]
-----------------------------	-----------------------------

Operation/Application

Circuit Application	Power & Signal
---------------------	----------------

Packaging Features

Packaging Quantity	100
--------------------	-----

Packaging Method	Box
------------------	-----

Product Compliance

[For compliance documentation, visit the product page on TE.com>](#)

EU RoHS Directive 2011/65/EU	Out of Scope
------------------------------	--------------

EU ELV Directive 2000/53/EC	Compliant with Exemptions
-----------------------------	---------------------------

China RoHS 2 Directive MIIT Order No 32, 2016	Not reviewed for China RoHS compliance
---	--

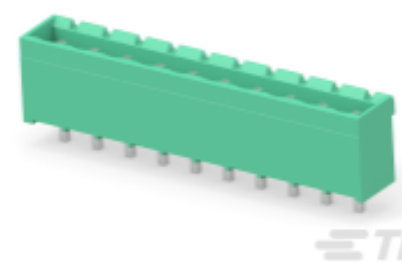
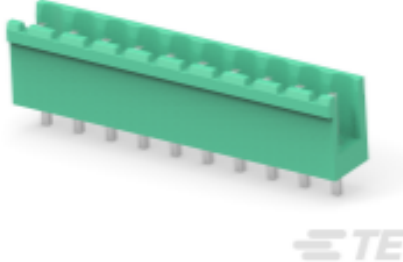
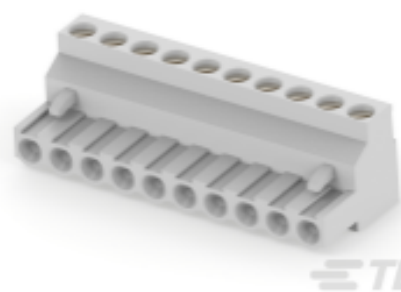
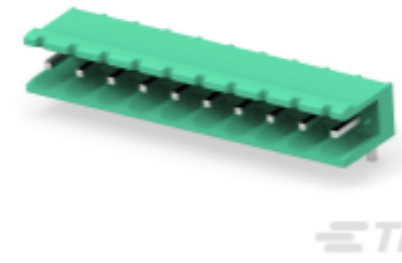
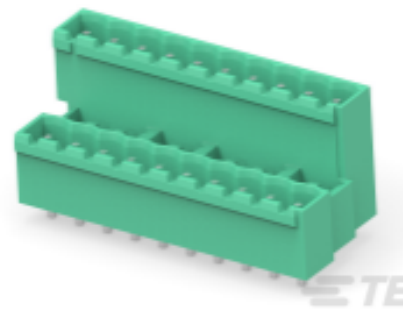
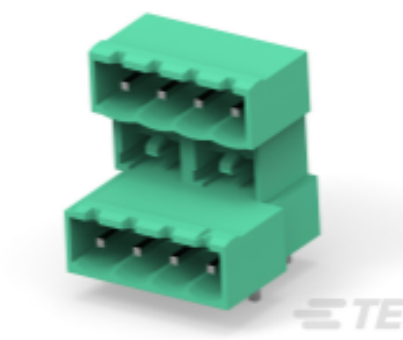


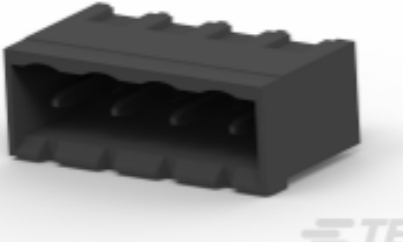

EU REACH Regulation (EC) No. 1907/2006	Current ECHA Candidate List: JAN 2024 (240) Candidate List Declared Against: JUNE 2023 (235) Does not contain REACH SVHC
--	--

Halogen Content	Low Halogen - Br, Cl, F, I < 900 ppm per homogenous material. Also BFR/CFR/PVC Free
Solder Process Capability	Not applicable for solder process capability

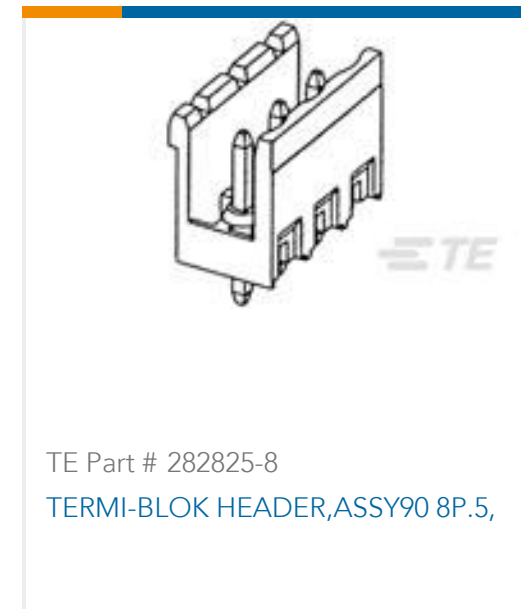
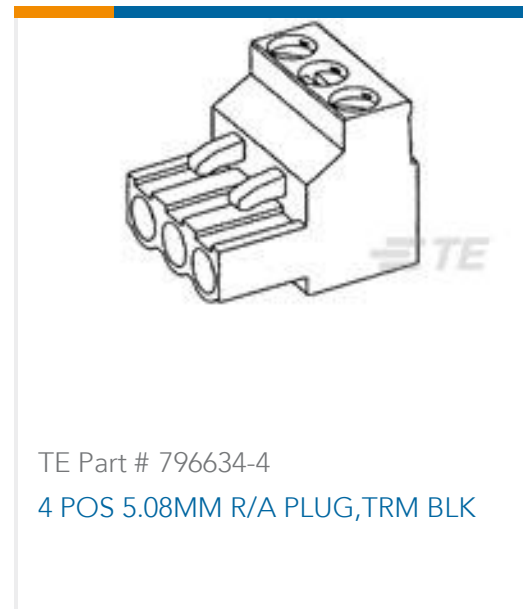
Product Compliance Disclaimer

This information is provided based on reasonable inquiry of our suppliers and represents our current actual knowledge based on the information they provided. This information is subject to change. The part numbers that TE has identified as EU RoHS compliant have a maximum concentration of 0.1% by weight in homogenous materials for lead, hexavalent chromium, mercury, PBB, PBDE, DBP, BBP, DEHP, DIBP, and 0.01% for cadmium, or qualify for an exemption to these limits as defined in the Annexes of Directive 2011/65/EU (RoHS2). Finished electrical and electronic equipment products will be CE marked as required by Directive 2011/65/EU. Components may not be CE marked. Additionally, the part numbers that TE has identified as EU ELV compliant have a maximum concentration of 0.1% by weight in homogenous materials for lead, hexavalent chromium, and mercury, and 0.01% for cadmium, or qualify for an exemption to these limits as defined in the Annexes of Directive 2000/53/EC (ELV). Regarding the REACH Regulation, the information TE provides on SVHC in articles for this part number is based on the latest European Chemicals Agency (ECHA) 'Guidance on requirements for substances in articles' posted at this URL: <https://echa.europa.eu/guidance-documents/guidance-on-reach>

Compatible Parts

 <p>TE Part # 1-796636-0 10POS 5.08MM CE VRT HDR,TRM BK</p>	 <p>TE Part # 1-796638-0 10POS 5.08MM CE R/A HDR,TRM BK</p>	 <p>TE Part # 1-282825-0 TERMI-BLOK HEADER,ASSY90 10P.5</p>	 <p>TE Part # 1-1546108-0 EUROSTYLE TB,PLUG,GREY,STK 10P</p>
 <p>TE Part # 1-282815-0 TERMI-BLOK HEADER,ASSY90 10P.</p>	 <p>TE Part # 1-284065-0 TERMI-BLOK HDR 180, 5,08MM 0.M</p>	 <p>TE Part # 1-284061-0 TERMI-BLOK HDR 90, 5,08MMP. MU</p>	 <p>TE Part # 1-2342083-0 10POS HDR 90 DEG,HT,5.08MM PITCH,TL2.6MM</p>
 <p>TE Part # 1-2342084-0 10POS HDR ST, HT, 5.08MM PITCH, TL 2.6MM</p>	 <p>TE Part # 1-796637-0 10POS 5.08MM CE VRT HDR,TRM BK</p>	 <p>TE Part # 1-796639-0 10POS 5.08MM CE R/A HDR,TRM BK</p>	

Customers Also Bought



Documents

Product Drawings

10 POS 5.08MM R/A PLUG,TRM BLK

English

CAD Files

Customer View Model

[ENG_CVM_CVM_1-796634-0_R1.3d_igs.zip](#)

English

Customer View Model

[ENG_CVM_CVM_1-796634-0_R1.3d_stp.zip](#)

English

Customer View Model

[ENG_CVM_CVM_1-796634-0_R1.2d_dxf.zip](#)

English

3D PDF

3D

By downloading the CAD file I accept and agree to the [Terms and Conditions](#) of use.

Datasheets & Catalog Pages



[Eurostyle Terminal Blocks Focus Product Stock List](#)

English

[BUCHANAN TERMINAL BLOCKS CATALOG - EUROSTYLE TERMINAL BLOCKS](#)

English

[BUCHANAN PCB TERMINAL BLOCKS](#)

English

[1-1773458-1_EURO_STYLE_TERMINAL_BLOCKS_QRG](#)

English

[Product Specifications](#)

[Application Specification](#)

English

[Agency Approvals](#)

[UL](#)

English