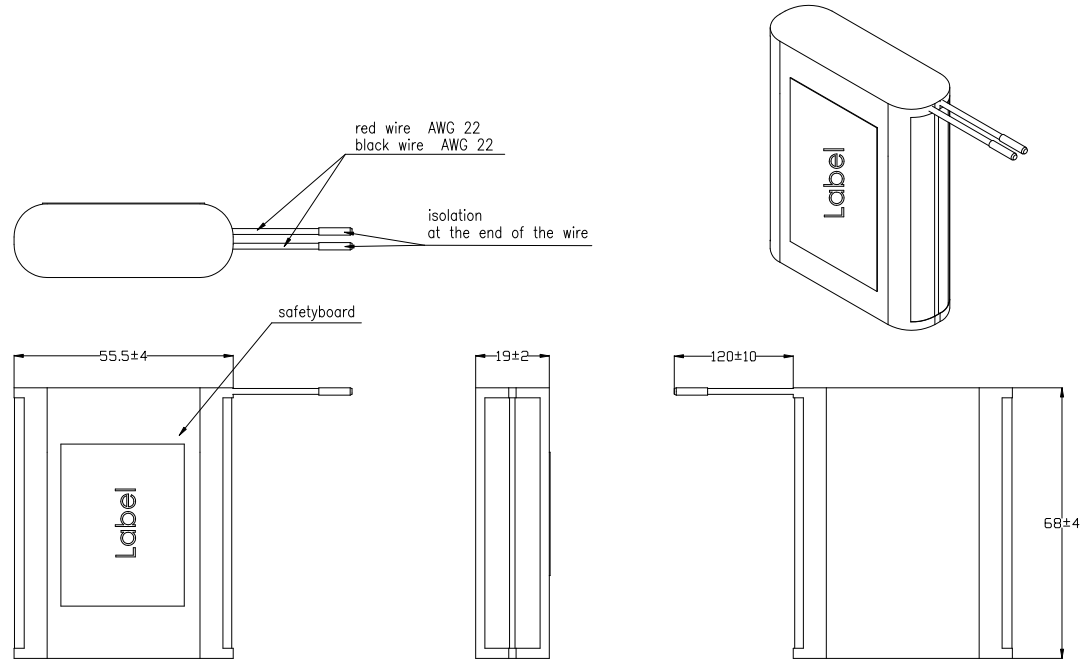


The supplier acknowledges that, with the acceptance of the drawing, he is obliged to manufacture the described part in accordance with the drawing, regardless of the presence of the component. The supplier is not responsible for any damage caused by the use of the component. The supplier is not responsible for any damage caused by the use of the component.

- Technische Daten/
 technical data : Akkupack/
 battery pack
 Chemie/
 chemistry : Lithium Ion
 Zellenzahl/
 no. of cells : 3 Zellen/ cells INR18650 LGC B4 ; 1S3P
 Kapazität/
 capacity : nom. 7800mAh discharge at 0.2C
 min. 7500mAh discharge at 0.2C
 ta:20°C; EV(Discharge End Voltage): 2.75V per cell
 Innenwiderstand/
 impedance : < 70mOhm (battery and safetyboard)
 Nominalspannung/
 nominal voltage : 3.7V
 Standard Ladespannung/
 standard charge voltage : 4.2V±1%
 Standard Entladespannung/
 standard discharge voltage : 2.75V
 Nominale Ladestrom/
 nominal charge current : 3000mA (limited by safetyboard)
 Maximaler Ladestrom/
 maximum charge current : 3000mA (limited by safetyboard)
 Ladeendstrom/
 charge end current : 0.01C recommended
 Maximaler Entladestrom/
 maximum discharge current : 3000mA (limited by safetyboard)
 Anwendungstemperaturbereich/
 ambient temperature range : 0°C...+45°C charge
 -20°C...+60°C discharge
 -20°C...+30°C storage max. 1 year
 -20°C...+45°C storage max. 3months
 Selbstentladung/
 self discharge : ≤ 5% / month at20°C
 ≤ 10% / month at30°C
 ≤ 20% / month at40°C
 Standards/
 : UN 3480, Subsection 38.3
 All cells and battery packs type tested according
 to UN manual of test and criteria subsection 38.3

- Technische Daten/
 technical data : Sicherheitsschaltung/
 safety board
 Überladeschutzspannung/
 over charge voltage detection : 4.25V±25mV per cell
 Wiedereinschaltspannung/
 over charge release voltage : 4.05V±50mV per cell
 Entladeabschaltspannung/
 over discharge detection voltage : 2.5V±62mV per cell
 Wiedereinschaltspannung/
 over discharge release voltage : 2.85V±250mV per cell
 Nominale Lade/Entladestrom/
 nominal operating current : 3A
 Entlade Abschaltstrom/
 discharge cut off current : 8.5A± 2A
 Kurzschlusschutz/
 short circuit protection : gegen äußeren Kurzschluss/
 against external short circuit
 Temperaturschalter/
 temperature switch : ---
 MOSFET : in Masse
 in Gnd
 Rückstellkriterium/
 release condition : Last trennen, Aktiv nach Anladen/
 cut load, release after charging up
 Nettogewicht/
 net weight : 140g
 Leiterplattenmaterial/
 pcb material : FR4
 Standards : CE



battery pack covered with 1 layer of blue shrinktube

| | | | | | |
|--|----------------------------|---|------------------------|---|--|
| Verwendungsbereich/Application range für Anfrage/for inquiry AN-IS-2013-00426 | | Zul. Abweichung/ Allowable deviation | Oberfläche/ Surface | Maßstab/Scale (DIN A2): 1:1 | Gewicht/Weight |
| | | Allgemeintoleranz DIN ISO 2768-m | | Werkstoff/Work material, Modell-Nr. | |
| | | 2013 | Datum/Date Name | Zeichnungsname/Drawing name | |
| | | Zeichner/ Drawn by | 23.10. | JE | Li-Ion Battery 3.7V 7800mAh with safetyboard |
| | | | | | |
| V2 | changed cell description | 18.12.17 | DS | Zeichnungsnummer/Drawing number | |
| V1 | change request: DE-15-0022 | 15.01.16 | MSI | Artikelnummer/Part number 2447-3034-01 | |
| Version | Anderung/Change | Datum/Date | Name | Ursprung/Origin Proj. IS-2013-00426 | Ersatz für/Replaced by Ersatz durch/Replacement through |
| | | | | | Blatt/ Sheet 1 |