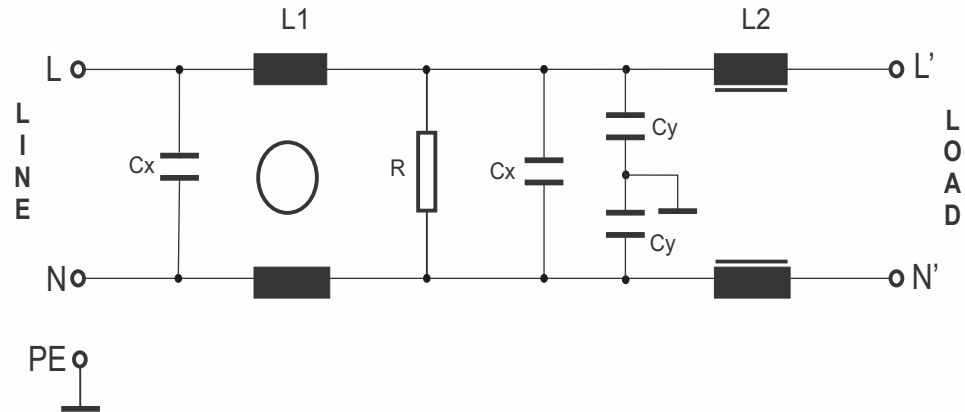


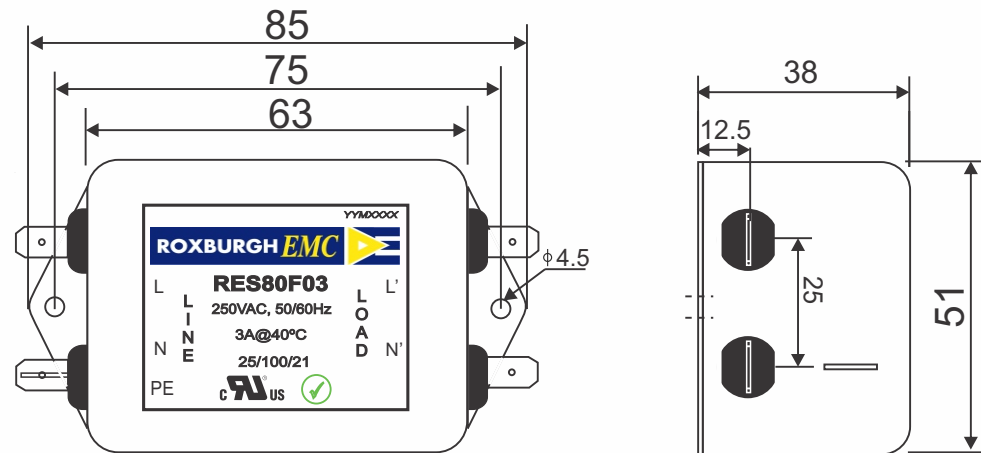
RES80F03		Rev. 0
CHARACTERISTICS:		
Rated Voltage:	250VAC max	
Rated Current at Ambient:	3A @ 40°C	
Operating Frequency:	DC-400HZ	
Climatic Class (IEC60068-1):	25/100/21	
Temperature Range:	-25°C to +100°C	
Over load Current:	1.5 x Rated Ct. for 1 Min	
Operational Leakage current : (at 230VAC/50Hz and Total C +/-20%)	0.734 mA max	
Worst case Leakage current : (N interrupted and Total C +/-20%)	<1.101 mA max	
DCR @ 25°C (+/-25%) :	325 mΩ	
Test Voltage (100%) for 2 sec:-	L-N:	1100VDC
	L-GND:	3000VDC
Ingress Protection:	IP 20	
Weight (Approximate):	250 gr	
FILTER PARAMETERS:		
Total Inductance (L-L'+N-N') @10KHz:	9.96mH +50%,-30%	
Total Capacitance (L-L/L-N) @1KHz:	0.94μF +/- -20%	
Total Capacitance (L/N-GND) @1KHz:	9.4nF +/- -20%	
Total Resistance (L-L/L-N):	0.47MΩ +/- -10%	
Total Resistance (L/N-GND):		
APPROVALS:	REACH	APPROVED BY AJAY
	RoHS	
	UL	Date: 28-03-2014



CIRCUIT DIAGRAM:



MECHANICAL DIMENSION (mm):



Note:

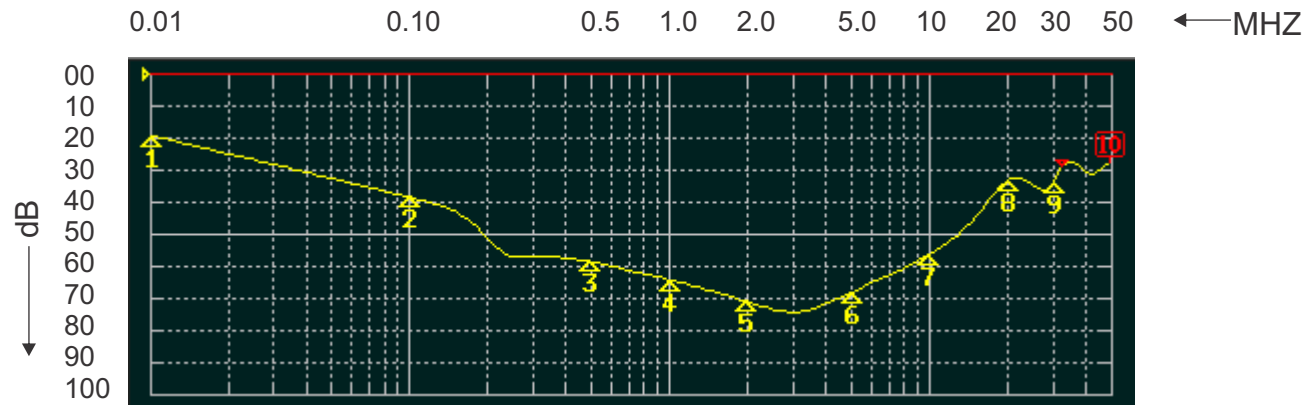
Housing matl. Fe with Ni Plated
 Fast-On Terminal (6.3 x 0.8mm)
 Connections

TOLERANCE: +/-1.0 mm

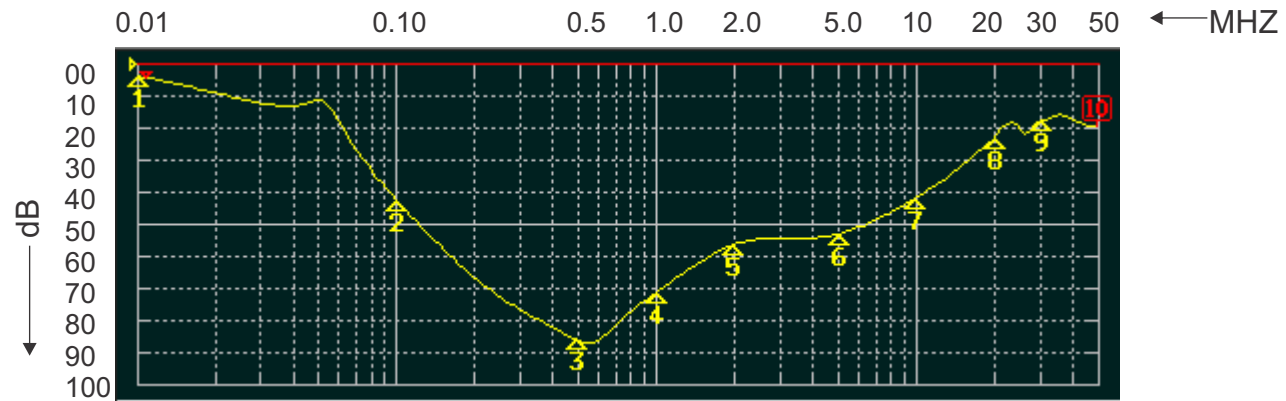


ROXBURGH EMC
FILTER INSERTION LOSS CHARACTERISTICS
CISPR 17 - 50 OHM METHOD

RES80F03



COMMON MODE



DIFFERENTIAL MODE

