
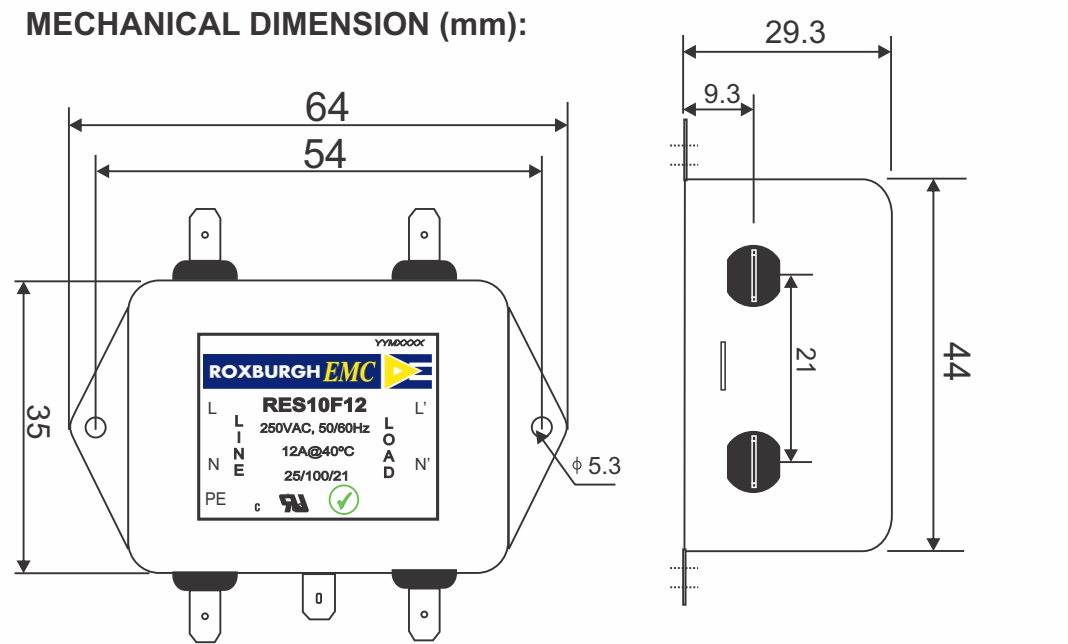
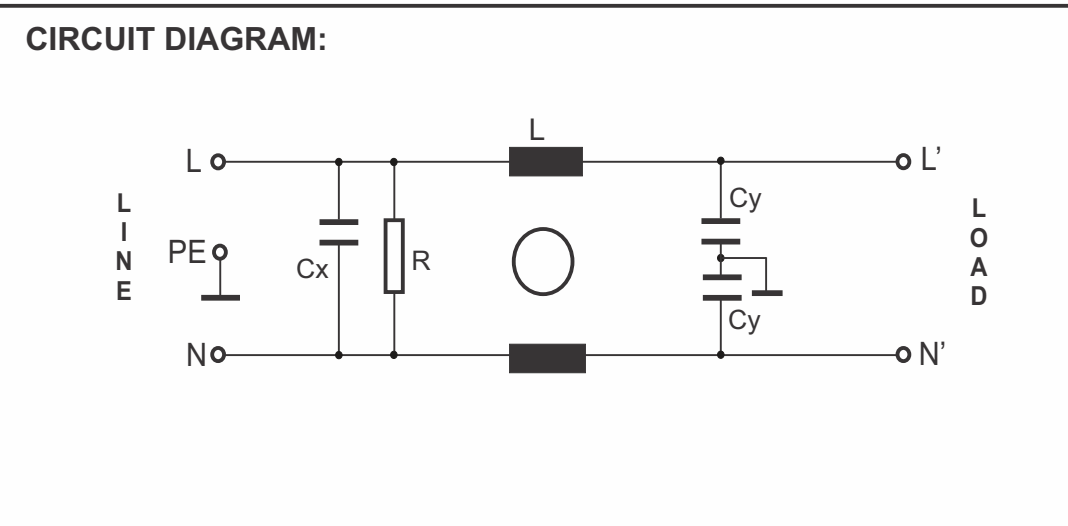


<b>RES10F12</b>	<b>Rev. 0</b>
<b>CHARACTERISTICS:</b>	
Rated Voltage:	250VAC max
Rated Current at Ambient:	12A @ 40°C
Operating Frequency:	DC-400HZ
Climatic Class (IEC60068-1):	25/100/21
Temperature Range:	-25°C to +100°C
Over load Current:	1.5 x Rated Ct. for 1 Min
Operational Leakage current : ( at 230VAC/50Hz and Total C +/-20%)	0.74 mA max
Worst case Leakage current : ( N interrupted and Total C +/-20%)	<1.11 mA max
DCR @ 25°C (+/-25%) :	45 mΩ
Test Voltage (100%) for 2 sec:-	L-N: 1100VDC
	L-GND: 3000VDC
Ingress Protection:	IP 20
Weight (Approximate):	85 gr
<b>FILTER PARAMETERS:</b>	
Total Inductance (L-L'+N-N') @10KHz:	0.7mH +50%,-30%
Total Capacitance (L-L/L-N) @1KHz:	0.1µF +/- -20%
Total Capacitance (L/N-GND) @1KHz:	9.4nF +/- -20%
Total Resistance (L-L/L-N):	1MΩ +/- -10%
Total Resistance (L/N-GND):	
<b>APPROVALS:</b>	<b>APPROVED BY</b>
REACH	BY
RoHS	AJAY
UL	Date: 4-02-2014
	

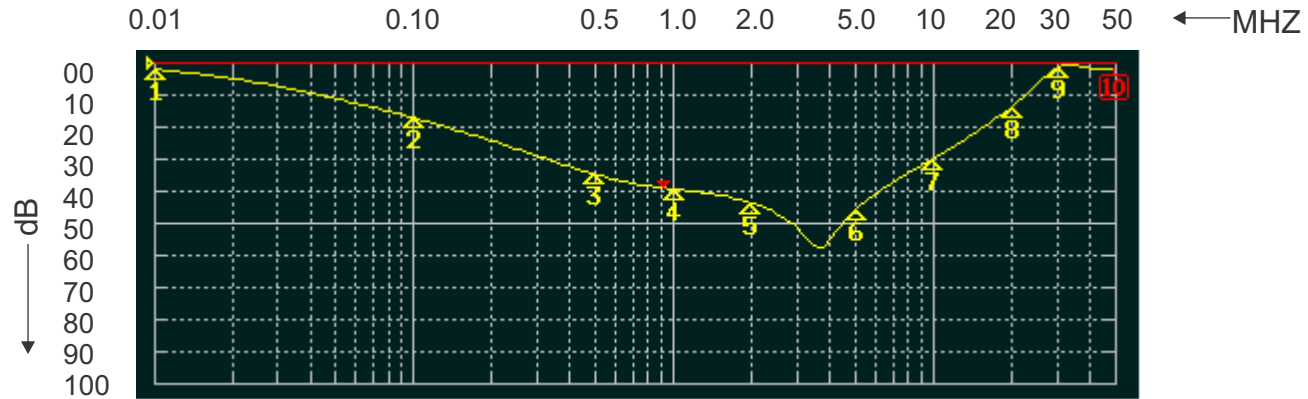


**Note:**  
Housing matl. Fe with Ni Plated  
Fast-On Terminal ( 6.3 x 0.8mm)  
Connections

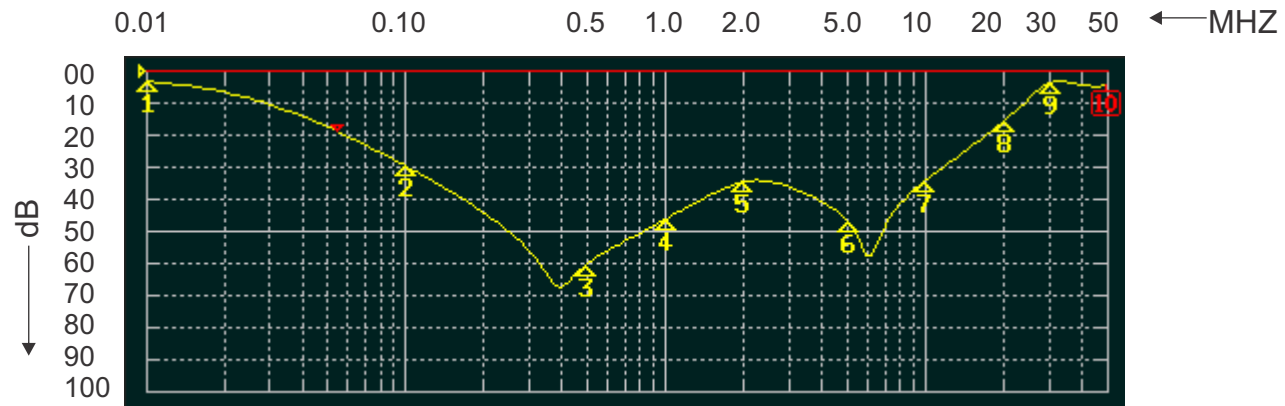
# ROXBURGH EMC

## FILTER INSERTION LOSS CHARACTERISTICS CISPR 17 - 50 OHM METHOD

### RES10F12



COMMON MODE



DIFFERENTIAL MODE

