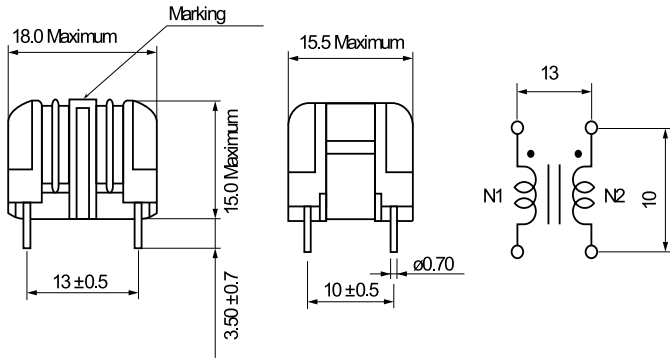


## SU10VFC-R04250

Aliases (UALSU10VR04250)  
Common Mode Chokes - Power, KEMET, SU-10VFC-R, Through-Hole Bobbin, Common Mode, 0.025 H



Click [here](#) for the 3D model.

### General Information

|               |                                 |
|---------------|---------------------------------|
| Series        | SU-10VFC-R                      |
| Style         | Through-Hole Bobbin             |
| RoHS          | Yes                             |
| Miscellaneous | Temperature Rise Maximum: 45 K. |
| Core          | Mn-Zn Ferrite                   |

### Dimensions

|           |                |
|-----------|----------------|
| L         | 18mm MAX       |
| T         | 15.5mm MAX     |
| H         | 15mm MAX       |
| LL        | 3.5mm +/-0.7mm |
| S         | 13mm +/-0.5mm  |
| S1        | 10mm +/-0.5mm  |
| Wire Size | 0.2mm          |
| F         | 0.7mm NOM      |

### Packaging Specifications

|                          |       |
|--------------------------|-------|
| Packaging                | Tray  |
| Packaging Quantity       | 700   |
| Typical Component Weight | 6.5 g |

### Specifications

|                   |            |
|-------------------|------------|
| Voltage AC        | 250 VAC    |
| Inductance        | 25000 uH   |
| Rated Current     | 400 mA     |
| Temperature Range | -40/+120°C |
| DC Resistance     | 2.8 Ohms   |

Statements of suitability for certain applications are based on our knowledge of typical operating conditions for such applications, but are not intended to constitute - and we specifically disclaim - any warranty concerning suitability for a specific customer application or use. This Information is intended for use only by customers who have the requisite experience and capability to determine the correct products for their application. Any technical advice inferred from this Information or otherwise provided by us with reference to the use of our products is given gratis, and we assume no obligation or liability for the advice given or results obtained.