

YXJ SERIES
105°C Miniaturized, Long Life

*Load Life : 105°C 4000~10000 hours.

RoHS compliance


◆ SPECIFICATIONS

Items	Characteristics																																					
Category Temperature Range	-40~+105°C																																					
Rated Voltage Range	6.3~100Vdc																																					
Capacitance Tolerance	±20% (20°C, 120Hz)																																					
Leakage Current(MAX)	I=0.01CV or 3µA whichever is greater.(After 2 minutes) I=Leakage Current(µA) C=Capacitance(µF) V=Rated Voltage(Vdc)																																					
Dissipation Factor(MAX) (tanδ)	<table border="1"> <thead> <tr> <th>Rated Voltage (Vdc)</th> <th>6.3</th> <th>10</th> <th>16</th> <th>25</th> <th>35</th> <th>50</th> <th>63</th> <th>100</th> </tr> </thead> <tbody> <tr> <td>(20°C, 120Hz)</td> <td>0.22</td> <td>0.19</td> <td>0.16</td> <td>0.14</td> <td>0.12</td> <td>0.10</td> <td>0.09</td> <td>0.08</td> </tr> </tbody> </table> <p>When capacitance is over 1000µF, tanδ shall be added 0.02 to the listed value with increase of every 1000µF.</p>	Rated Voltage (Vdc)	6.3	10	16	25	35	50	63	100	(20°C, 120Hz)	0.22	0.19	0.16	0.14	0.12	0.10	0.09	0.08																			
Rated Voltage (Vdc)	6.3	10	16	25	35	50	63	100																														
(20°C, 120Hz)	0.22	0.19	0.16	0.14	0.12	0.10	0.09	0.08																														
Endurance	<p>After applying rated voltage with rated ripple current for specified time at 105°C, the capacitors shall meet the following requirements.</p> <table border="1"> <thead> <tr> <th rowspan="2">Capacitance Change</th> <th rowspan="2">Within ±25% of the initial value.(6.3V:±30%)</th> <th colspan="2">Life Time(hrs)</th> </tr> <tr> <th>6.3~10Vdc</th> <th>16~100Vdc</th> </tr> </thead> <tbody> <tr> <td>Dissipation Factor</td> <td>Not more than 200% of the specified value.</td> <td>φD=5</td> <td>4000</td> <td>5000</td> </tr> <tr> <td rowspan="2">Leakage Current</td> <td rowspan="2">Not more than the specified value.</td> <td>φD=6.3,8</td> <td>6000</td> <td>7000</td> </tr> <tr> <td>φD≥10</td> <td>8000</td> <td>10000</td> </tr> </tbody> </table>	Capacitance Change	Within ±25% of the initial value.(6.3V:±30%)	Life Time(hrs)		6.3~10Vdc	16~100Vdc	Dissipation Factor	Not more than 200% of the specified value.	φD=5	4000	5000	Leakage Current	Not more than the specified value.	φD=6.3,8	6000	7000	φD≥10	8000	10000																		
Capacitance Change	Within ±25% of the initial value.(6.3V:±30%)			Life Time(hrs)																																		
		6.3~10Vdc	16~100Vdc																																			
Dissipation Factor	Not more than 200% of the specified value.	φD=5	4000	5000																																		
Leakage Current	Not more than the specified value.	φD=6.3,8	6000	7000																																		
		φD≥10	8000	10000																																		
Low Temperature Stability Impedance Ratio(MAX)	<table border="1"> <thead> <tr> <th>Rated Voltage (Vdc)</th> <th>6.3</th> <th>10</th> <th>16</th> <th>25</th> <th>35</th> <th>50</th> <th>63</th> <th>100</th> </tr> </thead> <tbody> <tr> <td>(120Hz)</td> <td colspan="9"></td> </tr> <tr> <td>Z(-25°C)/Z(20°C)</td> <td>4</td> <td>3</td> <td>2</td> <td>2</td> <td>2</td> <td>2</td> <td>2</td> <td>2</td> </tr> <tr> <td>Z(-40°C)/Z(20°C)</td> <td>8</td> <td>6</td> <td>4</td> <td>3</td> <td>3</td> <td>3</td> <td>3</td> <td>3</td> </tr> </tbody> </table>	Rated Voltage (Vdc)	6.3	10	16	25	35	50	63	100	(120Hz)										Z(-25°C)/Z(20°C)	4	3	2	2	2	2	2	2	Z(-40°C)/Z(20°C)	8	6	4	3	3	3	3	3
Rated Voltage (Vdc)	6.3	10	16	25	35	50	63	100																														
(120Hz)																																						
Z(-25°C)/Z(20°C)	4	3	2	2	2	2	2	2																														
Z(-40°C)/Z(20°C)	8	6	4	3	3	3	3	3																														

◆ MULTIPLIER FOR RIPPLE CURRENT

(6.3Vdc~50Vdc)

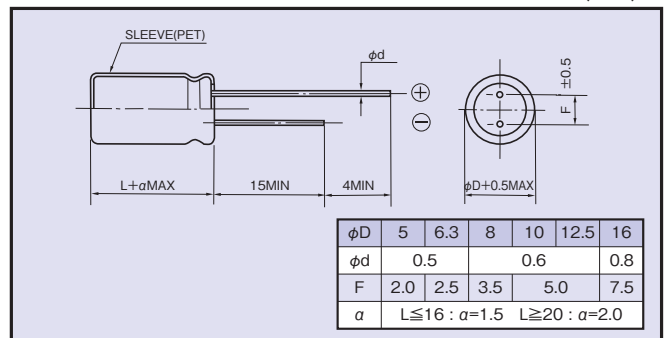
Frequency (Hz)		120	1k	10k	100k≤
Coefficient	1µF	0.35	0.60	0.80	1.00
	2.2~10µF	0.42	0.60	0.80	1.00
	22~47µF	0.55	0.75	0.90	1.00
	100~330µF	0.70	0.85	0.95	1.00
	470~1000µF	0.75	0.90	0.98	1.00
	2200~15000µF	0.80	0.95	1.00	1.00

(63Vdc~100Vdc)

Frequency (Hz)	120	1k	10k	100k≤
Coefficient	0.42	0.60	0.80	1.00

◆ DIMENSIONS

(mm)


◆ OPTION

	Code
PET Sleeve	Blank

◆ PART NUMBER

□□□	YXJ	□□□□□	M	□□□	□□	D×L
Rated Voltage	Series	Capacitance	Capacitance Tolerance	Option	Lead Forming	Case Size

◆STANDARD SIZE

Rated Voltage (Vdc)	Capacitance (μF)	Size φD×L(mm)	Rated ripple current (mA r.m.s./105°C, 100kHz)	Impedance (Ω MAX)	
				20°C, 100kHz	-10°C, 100kHz
6.3	100	5×11	150	0.90	3.6
	220	5×11	250	0.40	1.2
	330	6.3×11	340	0.22	0.87
	470	6.3×11	400	0.22	0.87
	1000	8×11.5	640	0.13	0.52
	2200	10×16	1300	0.062	0.25
	3300	10×20	1400	0.046	0.18
	4700	12.5×25	2230	0.032	0.11
	6800	12.5×25	2230	0.032	0.11
	10000	16×25	2930	0.021	0.060
15000	16×35.5	3610	0.015	0.044	
10	100	5×11	150	0.90	3.6
	220	5×11	250	0.40	1.2
	330	6.3×11	400	0.22	0.87
	470	6.3×11	400	0.22	0.87
	1000	10×12.5	865	0.080	0.32
	2200	10×20	1400	0.046	0.18
	3300	12.5×20	1900	0.041	0.14
	4700	12.5×25	2230	0.032	0.11
	6800	16×25	2930	0.021	0.060
10000	16×31.5	3450	0.019	0.056	
16	47	5×11	250	0.40	1.2
	100	5×11	250	0.40	1.2
	220	6.3×11	400	0.22	0.87
	330	6.3×11	400	0.22	0.87
	470	8×11.5	640	0.13	0.52
	1000	10×16	1210	0.062	0.25
	2200	12.5×20	1900	0.041	0.14
	3300	12.5×25	2230	0.032	0.11
	4700	16×25	2930	0.021	0.060
6800	16×31.5	3450	0.019	0.056	
25	33	5×11	250	0.40	1.2
	47	5×11	250	0.40	1.2
	100	5×11	250	0.40	1.2
	220	6.3×11	400	0.22	0.87
	330	8×11.5	640	0.13	0.52
	470	10×12.5	865	0.080	0.32
	1000	10×20	1400	0.046	0.18
	2200	12.5×25	2230	0.032	0.11
	3300	16×25	2930	0.021	0.060
4700	16×31.5	3450	0.019	0.056	
35	33	5×11	250	0.40	1.2
	47	5×11	250	0.40	1.2
	100	6.3×11	400	0.22	0.87
	220	8×11.5	640	0.13	0.52
	330	10×12.5	865	0.080	0.32
	470	10×16	1210	0.062	0.25
	1000	12.5×20	1900	0.041	0.14
	2200	16×25	2930	0.021	0.060
3300	16×31.5	3450	0.019	0.056	

Rated Voltage (Vdc)	Capacitance (μF)	Size φD×L(mm)	Rated ripple current (mA r.m.s./105°C, 100kHz)	Impedance (Ω MAX)	
				20°C, 100kHz	-10°C, 100kHz
50	1	5×11	30	4.0	8.0
	2.2	5×11	43	2.5	6.0
	3.3	5×11	53	2.2	5.6
	4.7	5×11	88	1.9	5.0
	10	5×11	100	1.5	4.0
	22	5×11	180	0.70	2.8
	33	5×11	250	0.70	2.8
	47	6.3×11	295	0.30	1.2
	100	8×11.5	555	0.17	0.68
	220	10×16	1050	0.084	0.34
	330	10×20	1220	0.060	0.24
	470	12.5×20	1660	0.045	0.15
	1000	16×25	2730	0.032	0.096
	2200	16×35.5	3150	0.019	0.057
63	10	5×11	173	0.88	3.5
	22	5×11	173	0.88	3.5
	33	6.3×11	278	0.35	1.4
	47	6.3×11	278	0.35	1.4
	100	10×12.5	725	0.15	0.60
	220	10×20	1200	0.078	0.31
	330	12.5×20	1570	0.060	0.19
	470	12.5×25	1990	0.043	0.14
	1000	16×25	2730	0.032	0.096
100	1	5×11	20	4.5	15.0
	2.2	5×11	30	3.0	13.0
	3.3	5×11	40	2.7	11.0
	4.7	5×11	65	2.5	10.0
	10	6.3×11	267	0.57	2.3
	22	6.3×11	267	0.57	2.3
	33	8×11.5	462	0.36	1.4
	47	8×16	585	0.25	1.0
	100	10×20	1040	0.12	0.52
	220	12.5×25	1620	0.060	0.23
	330	16×25	2210	0.044	0.16

◆CHIP TYPE PART NUMBER

□□□		□□□□		□□□□□		□	□□□	D×L	
Rated Voltage		Series		Capacitance		Capacitance Tolerance	Option ※1	Case Size	
↑		↑		↑		↑	↑	↑	
Rated Voltage(Vdc)	Code	Cap.(μF)	Code	Tolerance	Code				
6.3	6.3	4.7	4R7	±20%	M				
10	10	220	220				4×6.1		
25	25	3300	3300				8×10.5		
100	100							16×21.5	
Please indicate the above information, when ordering.									
Example									
35		TZV		330		M		10×10.5	

※1 Option : Standard item is blank.

◆RADIAL LEAD TYPE PART NUMBER

□□□		□□□□		□□□□□		□	□□□	□□	D×L
Rated Voltage		Series		Capacitance		Capacitance Tolerance	Option ※2	Lead Forming ※3	Case Size
↑		↑		↑		↑	↑	↑	↑
Rated Voltage(Vdc)	Code	Cap.(μF)	Code	Tolerance	Code	Option	Lead Forming		
6.3	6.3	0.1	OR1	±20%	M	EFC etc	TA, KC, CA etc	5×11	
10	10	0.47	OR47				10×12.5		
25	25	1	1				12.5×40		
100	100	10	10						
		1000	1000						
Please indicate the above information, when ordering.									
Example									
*Long lead type		50	PX	2R2	M	EFC	5×11		
*Taping type		35	ZLJ	220	M		TA	8×16	

※2 Option : Please confirm each series page.

※3 Lead Forming : Please refer to TAPING SPECIFICATIONS and LEAD CUTTING FORMING SPECIFICATIONS. (P46~48)

PACKAGING SPECIFICATION
◆RADIAL LEAD TYPE

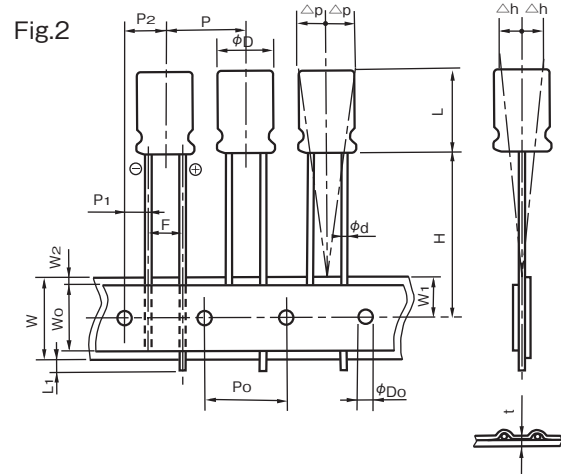
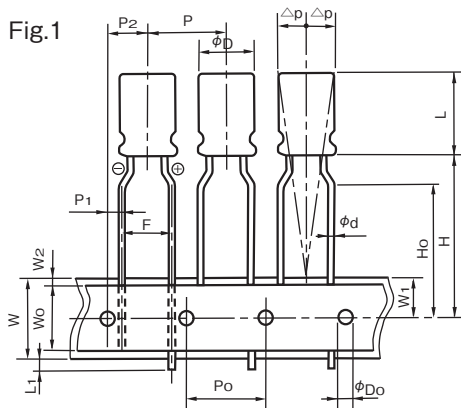
Q'ty (pcs)

SIZE (mm)	LONG LEAD		LEAD FORMING		TAPING	
	BULK PACKAGE	ALIGNED PACKAGE	BULK PACKAGE	ALIGNED PACKAGE		
φ4	4×5	5,000	—	5,000	—	2,000
	4×7	5,000	—	5,000	—	2,000
φ5	5×5	5,000	—	5,000	—	2,000
	5×7	5,000	—	5,000	—	2,000
	5×11	3,000	—	5,000	—	2,000
φ6.3	6.3×5	3,000	—	5,000	—	2,000
	6.3×7	3,000	—	5,000	—	2,000
	6.3×11	2,000	—	3,000	—	2,000
	6.3×14	2,000	—	3,000	—	2,000
	6.3×25	1,000	—	1,000	—	—
	6.3×30	1,000	—	1,000	—	—
	6.3×40	1,000	—	1,000	—	—
φ8	8×5	3,000	—	5,000	—	1,000
	8×7	3,000	—	5,000	—	1,000
	8×7.5	2,000	—	2,000	—	1,000
	8×9	2,000	—	2,000	—	1,000
	8×10.8	2,000	—	2,000	—	1,000
	8×11.5	2,000	—	2,000	—	1,000
	8×16	1,000	—	1,000	—	1,000
	8×20	1,000	—	1,000	—	1,000
	8×23	1,000	—	1,000	—	1,000
	8×25	—	500	—	500	—
	8×30	—	500	—	500	—
	8×35	—	500	—	500	—
	8×40	—	500	—	500	—
	8×45	—	500	—	500	—
	8×50	—	500	—	500	—
φ10	8×55	—	500	—	500	—
	8×60	—	500	—	500	—
	10×9	1,000	—	1,000	—	500
	10×10	1,000	—	1,000	—	500
	10×12.5	1,000	—	1,000	—	500
	10×16	1,000	—	1,000	—	500
	10×20	1,000	—	1,000	—	500
	10×23	1,000	—	1,000	—	500
	10×25	1,000	500	1,000	500	500
	10×28	1,000	500	1,000	500	500
	10×30	—	500	—	500	—
	10×35	—	500	—	500	—
	10×40	—	500	—	500	—
10×45	—	500	—	500	—	
10×50	—	500	—	500	—	
10×55	—	500	—	500	—	
10×60	—	500	—	500	—	

SIZE (mm)	LONG LEAD		LEAD FORMING		TAPING	
	BULK PACKAGE	ALIGNED PACKAGE	BULK PACKAGE	ALIGNED PACKAGE		
φ12.5	12.5×16	1,000	—	1,000	500	500
	12.5×20	1,000	500	1,000	500	500
	12.5×25	1,000	500	1,000	500	500
	12.5×30	600	500	600	500	500
	12.5×35	600	500	600	500	500
	12.5×40	600	500	600	500	500
	12.5×45	—	500	—	500	—
	12.5×50	—	500	—	500	—
	12.5×55	—	500	—	500	—
	12.5×60	—	500	—	500	—
	φ14.5	14.5×20	—	500	—	500
14.5×25		—	500	—	500	—
14.5×30		—	500	—	500	—
14.5×31.5		—	500	—	500	—
14.5×35		—	500	—	500	—
14.5×40		—	500	—	500	—
14.5×45		—	500	—	500	—
φ16	14.5×50	—	500	—	500	—
	16×16	600	—	600	400	250
	16×20	600	200	600	400	250
	16×25	600	200	600	400	250
	16×30	—	200	—	200	250
	16×31.5	—	200	—	200	250
	16×35	—	200	—	200	250
	16×35.5	—	200	—	200	250
	16×40	—	200	—	200	250
	16×45	—	200	—	200	—
φ18	16×50	—	200	—	200	—
	18×16	500	—	—	200	250
	18×20	500	200	—	200	250
	18×25	500	200	—	200	250
	18×30	—	200	—	200	250
	18×31.5	—	200	—	200	250
	18×35	—	200	—	200	250
	18×35.5	—	200	—	200	250
	18×40	—	200	—	200	250
18×45	—	200	—	200	—	
18×50	—	200	—	200	—	

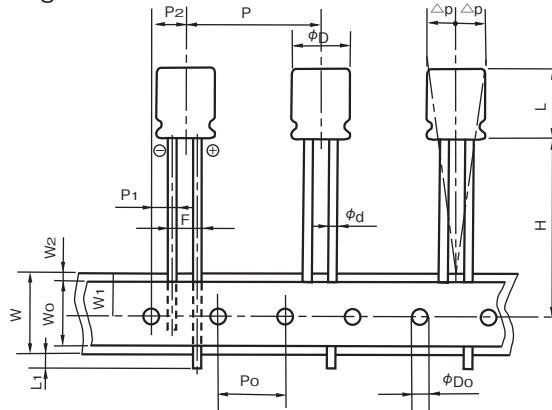
•There are some differences between actual package quantity and above list.

•For the sizes stated both bulk and aligned package, aligned package is standard for exporting carton.

◆ TAPING SPECIFICATIONS
◆ DIMENSIONS

◆ SPECIFICATION TABLE

(mm)

Items	Code	5mm Height		7mm or 7.5mm Height				Tolerance
		$\phi 4 \sim \phi 8$	$\phi 4 \sim \phi 6.3$	$\phi 4 \sim \phi 6.3$	$\phi 8$			
Taping code		T5	TZ	T5	TZ	TA	T7	
Applicable Fig. No.		Fig.2	Fig.1	Fig.2	Fig.1	Fig.1	Fig.2	
Dia. of lead	ϕd	0.45		0.45				± 0.05
Height of body	L	6.5		8.5				MAX
Distance from center to center of next body	P	12.7		12.7				± 1.0
Distance from center to center of next driving hole	P_0	12.7		12.7				± 0.2
Distance between center of driving hole and lead	P_1	5.1	3.85	5.1	3.85	4.6	± 0.5	
Distance between center of driving hole and body	P_2	6.35		6.35				± 1.0
Pitch of lead	F	2.5	5.0	2.5	5.0	3.5	$+0.8$ -0.2	
Width of mounting tape	W	18.0		18.0				± 0.3
Width of adhesive tape	W_0	5.0		5.0				MIN
Distance between center of driving hole and mounting tape edge	W_1	9.0		9.0				± 0.5
Max. allowable distance between mounting and adhesive tape edges	W_2	1.5		1.5				MAX
Distance between center of driving hole and bottom of body	H	17.5		17.5		20.0		± 0.75
Distance between center of driving hole and clinch part of lead	H_0	—	16.0	—	16.0		—	± 0.5
End of lead	L_1	0.5		0.5				MAX
Dia. of driving hole	ϕD_0	4.0		4.0				± 0.2
Off alignment of body top	Δh	1.0		1.0				MAX
Off alignment of body top	Δp	1.0		1.0				MAX
Sum of thickness for mounting and adhesive tape without lead dia	t	0.6		0.6				± 0.3
Quantity (pcs)		2000 ($\phi 8$:1000)						

Fig.3

◆ SPECIFICATION TABLE

(mm)

Items	Code	9mm or more Height						※ Tolerance		
		φ5, φ6.3	φ8	φ10	φ12.5	φ16	φ18			
Taping code		T1	TA	TA	T7	T8	G4	GC		
Applicable Fig. No.		Fig.2	Fig.1	Fig.1	Fig.2	Fig.2	Fig.2	Fig.3		
Dia. of lead	φd	0.5		0.6		0.8		±0.05		
Height of body	L	13.0		22.0		30.0		42.0		MAX
Distance from center to center of next body	P	12.7				15.0	30.0		±1.0	
Distance from center to center of next driving hole	P ₀	12.7				15.0	15.0±0.3		±0.2	
Distance between center of driving hole and lead	P ₁	5.1	3.85	4.6	3.85	5.0	3.75		±0.5	
Distance between center of driving hole and body	P ₂	6.35				7.5		±1.0		
Pitch of lead	F	2.5	5.0	3.5	5.0±0.8		7.5±0.8		+0.8 -0.2	
Width of mounting tape	W	18.0						±0.3		
Width of adhesive tape	W ₀	5.0						MIN		
Distance between center of driving hole and mounting tape edge	W ₁	9.0						±0.5		
Max. allowable distance between mounting and adhesive tape edges	W ₂	1.5						MAX		
Distance between center of driving hole and bottom of body	H	18.5		20.0		18.5 ^{+0.75} _{-0.5}		±0.75		
Distance between center of driving hole and clinch part of lead	H ₀	—	16.0		—	—		±0.5		
End of lead	L ₁	0.5						MAX		
Dia. of driving hole	φD ₀	4.0						±0.2		
Off alignment of body top	△h	1.0						MAX		
Off alignment of body top	△p	1.0						MAX		
Sum of thickness for mounting and adhesive tape without lead dia	t	0.6						±0.3		
Quantity (pcs)		2000		1000		500		250		

※For the case that tolerance is specified individually, the value shall have the priority.

◆ LEAD CUTTING FORMING SPECIFICATIONS

Rubycon provides lead-formed and lead-cut products to facilitate mounting on printed circuit boards, as well as products with leads specially processed (kink formed) for self supporting insertions to printed circuit boards.

<p>•Lead forming</p> <p>($\phi 5 \sim \phi 8$)</p> <p>Lead forming code : FA</p>		<p>(mm)</p> <table border="1"> <thead> <tr> <th>ϕD</th> <th>5</th> <th>6.3</th> <th>8</th> </tr> </thead> <tbody> <tr> <td>ϕd</td> <td colspan="2">0.5</td> <td>0.6</td> </tr> <tr> <td>F</td> <td colspan="3">5.0</td> </tr> </tbody> </table>	ϕD	5	6.3	8	ϕd	0.5		0.6	F	5.0																																																														
ϕD	5	6.3	8																																																																							
ϕd	0.5		0.6																																																																							
F	5.0																																																																									
<p>•Lead cutting</p> <p>($\phi 5 \sim \phi 18$)</p> <p>Lead cutting code : CA CC CE</p>		<p>(mm)</p> <table border="1"> <thead> <tr> <th>ϕD</th> <th>5</th> <th>6.3</th> <th>8</th> <th>10</th> <th>12.5</th> <th>14.5</th> <th>16</th> <th>18</th> </tr> </thead> <tbody> <tr> <td>H</td> <td colspan="8">5.0 (CA) 4.0 (CC) 3.5 (CE)</td> </tr> <tr> <td>ϕd</td> <td colspan="2">0.5</td> <td colspan="2">0.6</td> <td colspan="4">0.8</td> </tr> <tr> <td>F</td> <td>2.0</td> <td>2.5</td> <td>3.5</td> <td colspan="2">5.0</td> <td colspan="3">7.5</td> </tr> </tbody> </table>	ϕD	5	6.3	8	10	12.5	14.5	16	18	H	5.0 (CA) 4.0 (CC) 3.5 (CE)								ϕd	0.5		0.6		0.8				F	2.0	2.5	3.5	5.0		7.5																																						
ϕD	5	6.3	8	10	12.5	14.5	16	18																																																																		
H	5.0 (CA) 4.0 (CC) 3.5 (CE)																																																																									
ϕd	0.5		0.6		0.8																																																																					
F	2.0	2.5	3.5	5.0		7.5																																																																				
<p>•Kinked lead forming</p> <p>($\phi 5 \sim \phi 8$)</p> <p>Kinked lead forming code : KC</p>		<p>(mm)</p> <table border="1"> <thead> <tr> <th>ϕD</th> <th>5</th> <th>6.3</th> <th>8</th> <th>10</th> <th>12.5</th> <th>14.5</th> <th>16</th> <th>18</th> </tr> </thead> <tbody> <tr> <td>H1</td> <td colspan="8">4.5</td> </tr> <tr> <td>H2</td> <td colspan="8">2.8</td> </tr> <tr> <td>H3</td> <td colspan="2">2.5</td> <td colspan="6">—</td> </tr> <tr> <td>F</td> <td colspan="4">5.0</td> <td colspan="4">7.5</td> </tr> <tr> <td>P</td> <td colspan="8">1.0</td> </tr> <tr> <td>E</td> <td colspan="3">1.2</td> <td colspan="5">1.3</td> </tr> <tr> <td>ϕd</td> <td colspan="2">0.5</td> <td colspan="2">0.6</td> <td colspan="4">0.8</td> </tr> </tbody> </table>	ϕD	5	6.3	8	10	12.5	14.5	16	18	H1	4.5								H2	2.8								H3	2.5		—						F	5.0				7.5				P	1.0								E	1.2			1.3					ϕd	0.5		0.6		0.8			
ϕD	5	6.3	8	10	12.5	14.5	16	18																																																																		
H1	4.5																																																																									
H2	2.8																																																																									
H3	2.5		—																																																																							
F	5.0				7.5																																																																					
P	1.0																																																																									
E	1.2			1.3																																																																						
ϕd	0.5		0.6		0.8																																																																					
<p>•Kinked lead cutting</p> <p>($\phi 10 \sim \phi 18$)</p> <p>Kinked lead cutting code : KC</p>		<p>(mm)</p> <table border="1"> <thead> <tr> <th>ϕD</th> <th>5</th> <th>6.3</th> <th>8</th> <th>10</th> <th>12.5</th> <th>14.5</th> <th>16</th> <th>18</th> </tr> </thead> <tbody> <tr> <td>H1</td> <td colspan="8">4.5</td> </tr> <tr> <td>H2</td> <td colspan="8">2.8</td> </tr> <tr> <td>H3</td> <td colspan="2">2.5</td> <td colspan="6">—</td> </tr> <tr> <td>F</td> <td colspan="4">5.0</td> <td colspan="4">7.5</td> </tr> <tr> <td>P</td> <td colspan="8">1.0</td> </tr> <tr> <td>E</td> <td colspan="3">1.2</td> <td colspan="5">1.3</td> </tr> <tr> <td>ϕd</td> <td colspan="2">0.5</td> <td colspan="2">0.6</td> <td colspan="4">0.8</td> </tr> </tbody> </table>	ϕD	5	6.3	8	10	12.5	14.5	16	18	H1	4.5								H2	2.8								H3	2.5		—						F	5.0				7.5				P	1.0								E	1.2			1.3					ϕd	0.5		0.6		0.8			
ϕD	5	6.3	8	10	12.5	14.5	16	18																																																																		
H1	4.5																																																																									
H2	2.8																																																																									
H3	2.5		—																																																																							
F	5.0				7.5																																																																					
P	1.0																																																																									
E	1.2			1.3																																																																						
ϕd	0.5		0.6		0.8																																																																					
<p>•Low profile with horizontal mounting ($\phi 10 \sim \phi 18$)</p>		<p>(mm)</p> <table border="1"> <thead> <tr> <th>ϕD</th> <th colspan="4">10, 12.5</th> <th colspan="4">14.5, 16, 18</th> </tr> </thead> <tbody> <tr> <td>Code</td> <td>RI</td> <td>RK</td> <td>RX</td> <td>SG</td> <td>RI</td> <td>RK</td> <td>RX</td> <td>SG</td> </tr> <tr> <td>ϕd</td> <td colspan="4">0.6</td> <td colspan="4">0.8</td> </tr> <tr> <td>F</td> <td colspan="4">5.0</td> <td colspan="4">7.5</td> </tr> <tr> <td>H</td> <td colspan="2">4.0</td> <td colspan="2">3.5</td> <td colspan="2">4.0</td> <td colspan="2">3.5</td> </tr> <tr> <td>Type</td> <td>A</td> <td>B</td> <td>A</td> <td>B</td> <td>A</td> <td>B</td> <td>A</td> <td>B</td> </tr> </tbody> </table>	ϕD	10, 12.5				14.5, 16, 18				Code	RI	RK	RX	SG	RI	RK	RX	SG	ϕd	0.6				0.8				F	5.0				7.5				H	4.0		3.5		4.0		3.5		Type	A	B	A	B	A	B	A	B																		
ϕD	10, 12.5				14.5, 16, 18																																																																					
Code	RI	RK	RX	SG	RI	RK	RX	SG																																																																		
ϕd	0.6				0.8																																																																					
F	5.0				7.5																																																																					
H	4.0		3.5		4.0		3.5																																																																			
Type	A	B	A	B	A	B	A	B																																																																		