

Connecting Links for Surface Mount Terminal Blocks with Push-Buttons

Pin Spacing 4 mm

2060 Series



- Connecting link simplifies LED circuit board assembly
- Easy push-in termination and disconnection without push-button actuation
- For board-to-board connections using 2060 series terminal blocks
- Eliminates manual wiring between boards or LED modules

Technical data:



Pin Spacing	4 mm 0.157 in			
Rating per	IEC/EN 60664-1			
Overvoltage category	III	III	II	
Pollution degree	3	2	2	
Rated voltage	63 V	160 V	320 V	
Rated surge voltage	2.5 kV	2.5 kV	2.5 kV	
Nominal current	9 A	9 A	9 A	
Approvals per	UL/cUL			
Rated voltage	250 V			
Nominal current UL	9 A			
Nominal current CSA	6 A			

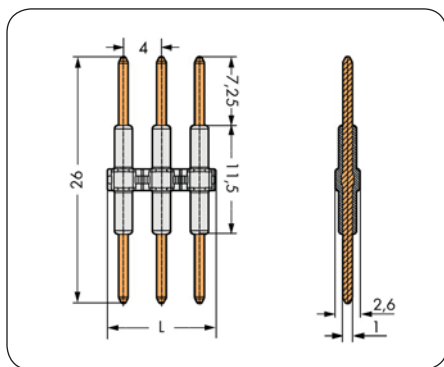
Material data:

Material group	I
Insulating material	Polyamide 6.6 (PA 6.6)
Flammability rating per UL 94	V0
Lower/Upper temperature limit	-60°C/+105°C
Contact material	Copper alloy
Contact plating	Silver-plated

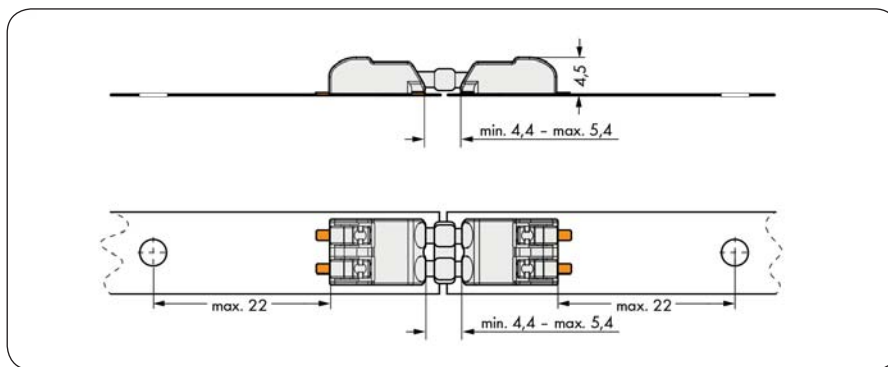
Connecting Links for Surface Mount Terminal Blocks with Push-Buttons

2060 Series

Pin spacing 4 mm / 0.157 in	
160 V/2.5 kV/2 9 A	250 V/9 A 
	250 V/6 A 



L = (pole no. x pin spacing) - 0.6 mm



Pole No.	Item No.	Pack Unit
Connecting link for surface mount terminal blocks with push-buttons		
1	2060-901	
2	2060-902	
3	2060-903	



Inserting the connecting link into terminal block.



Assembly: Place PCB on a flat surface and insert links into terminal blocks on adjoining PCBs.
 Disassembly: Pull PCBs apart.
 (Maximum 10 connections/disconnections)



The PCBs must be secured (see figure above).