

ebm-papst Mulfingen GmbH & Co. KG

Bachmühle 2

D-74673 Mulfingen

Phone +49 7938 81-0

Fax +49 7938 81-110

info1@de.ebmpapst.com

www.ebmpapst.com

Nominal data

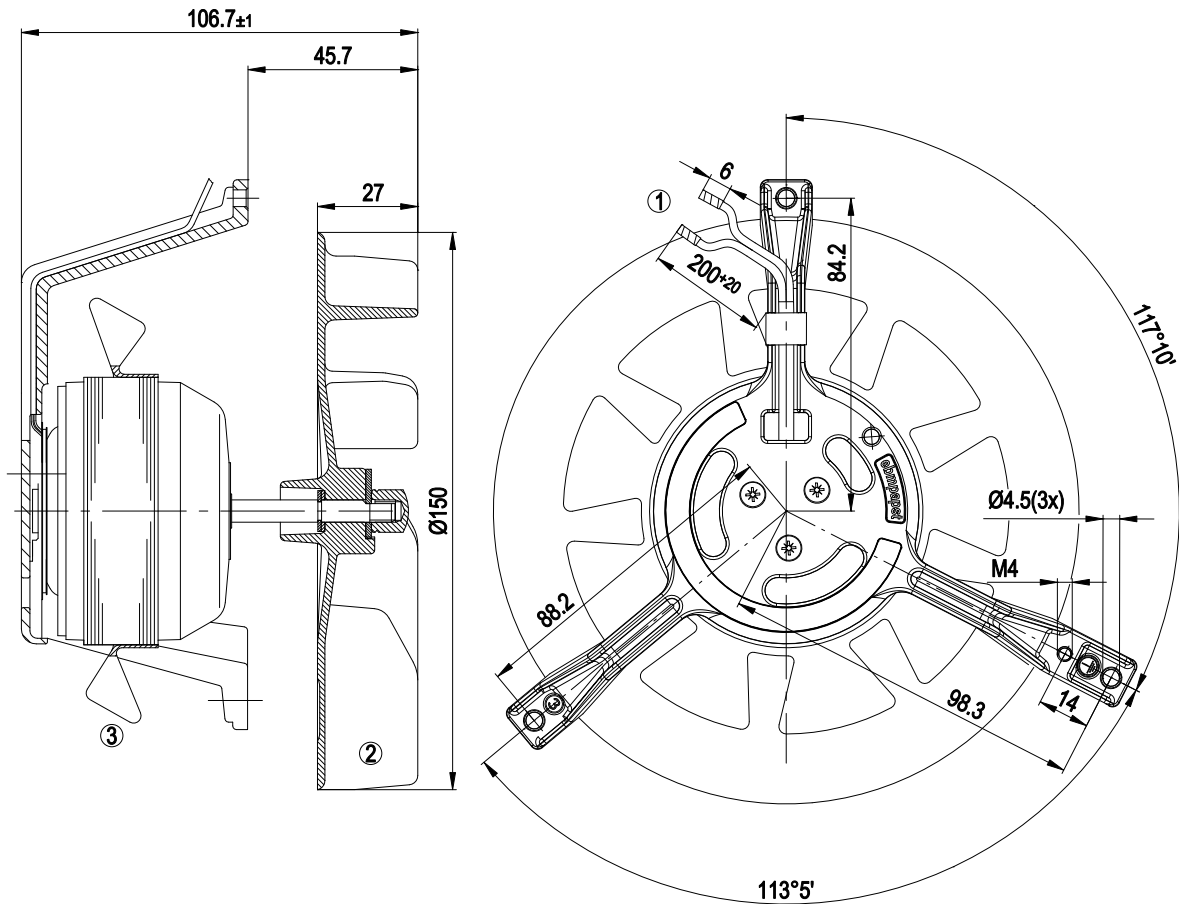
| | | |
|-------------------------------|-----------------------|------|
| Type | R2S150-AA08-29 | |
| Motor | M2S052-CA | |
| Phase | | 1~ |
| Nominal voltage | VAC | 230 |
| Frequency | Hz | 50 |
| Type of data definition | | rfa |
| Valid for approval / standard | | CE |
| Speed | min ⁻¹ | 2200 |
| Power input | W | 43 |
| Current draw | A | 0.25 |
| Min. back pressure | Pa | 0 |
| Max. ambient temperature | °C | 75 |

ml = max. load · me = max. efficiency · rfa = running at free air · cs = customer specs · cu = customer unit
Subject to alterations

Technical features

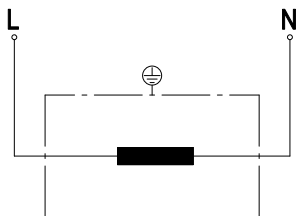
| | |
|---|--|
| Leakage current | < 0.75 mA |
| Size | 150 mm |
| Operation mode | S1 |
| Direction of rotation | Clockwise, seen on rotor |
| Mounting position | Any |
| Insulation class | "F" |
| Cable exit | Lateral |
| Condensate discharge holes | None |
| Motor bearing | Ball bearing |
| Mass | 0.9 kg |
| Material of impeller | Die-cast aluminium |
| Product conforming to standard | CE; EN 60335-1, motor does not have factory-installed overheating protection |
| Surface of rotor | Uncoated |
| Number of blades | 7 |
| Type of protection | IP 22 (depending on installation and position); Depending on installation and position |
| Protection class | I (if earth wire is connected by customer) |
| Max. permissible ambient motor temp. (transp./ storage) | + 80 °C |
| Min. permissible ambient motor temp. (transp./storage) | - 40 °C |

Product drawing



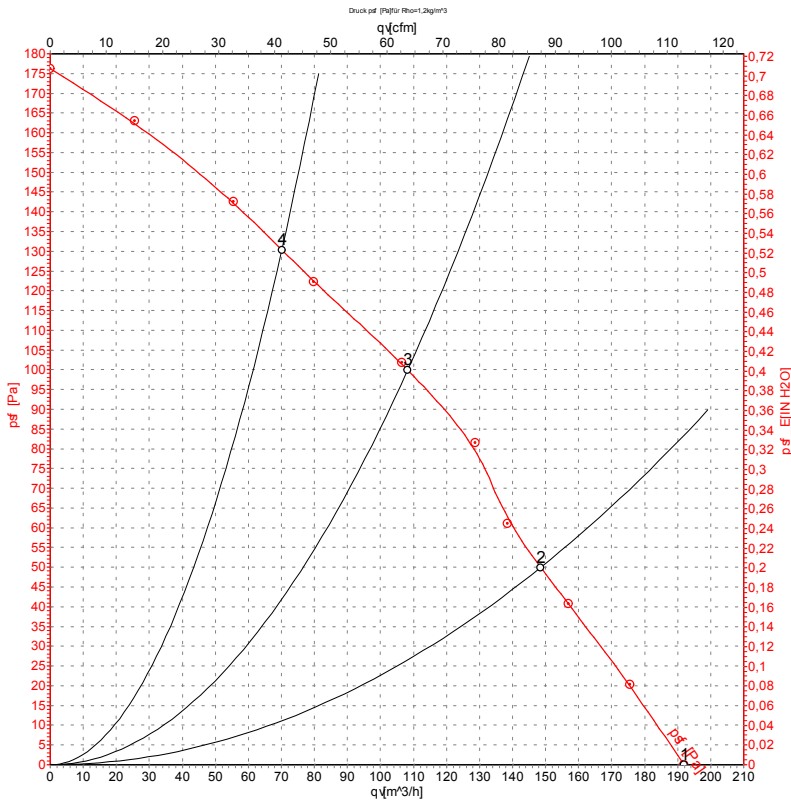
- | | |
|---|---|
| 1 | Connection line Dipotherm 0.5mm ² , 2x brass lead tips crimped |
| 2 | Centrifugal impeller (die-cast aluminium) |
| 3 | Impeller (sheet steel, hot-galvanised) |

Connection screen



- | | | | |
|---|-------|---|-------|
| L | white | N | white |
|---|-------|---|-------|

Charts: Air flow 50 Hz



Measurement: LU-24342

Air performance measured as per ISO 5801 Installation Category A. For detailed information on the measuring set-up, please contact ebm-papst. Suction-side noise levels: L_{wA} measured as per ISO 13347 / L_{pA} measured with 1m distance to fan axis. The values given are valid under the measuring conditions mentioned above and may vary according to the actual installation situation. With any deviation from the standard set-up, the specific values have to be checked and reviewed with the unit installed.

Measured values

| | U | f | n | P _e | I | qv | p _{sf} |
|---|-----|----|-------------------|----------------|------|-------------------|-----------------|
| | V | Hz | min ⁻¹ | W | A | m ³ /h | Pa |
| 1 | 230 | 50 | 2200 | 43 | 0.25 | 190 | 0 |
| 2 | 230 | 50 | 2250 | 42 | 0.25 | 150 | 50 |
| 3 | 230 | 50 | 2330 | 40 | 0.24 | 110 | 100 |
| 4 | 230 | 50 | 2335 | 40 | 0.24 | 70 | 130 |