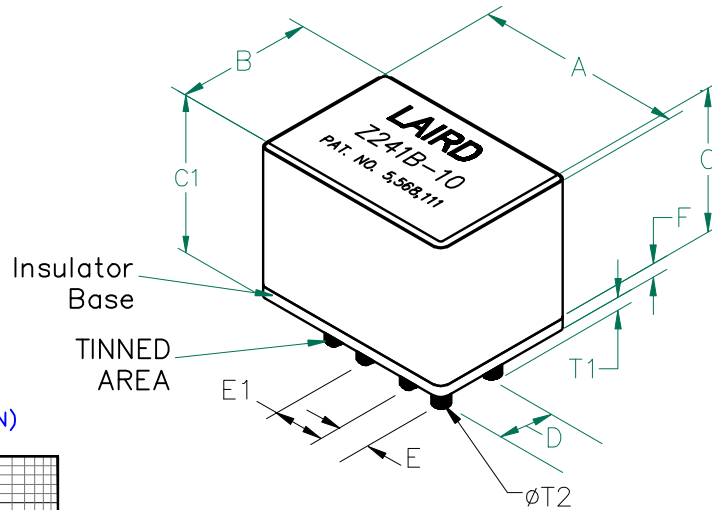


**PHYSICAL DIMENSIONS:**

A	14.48 [.570]	+ .23 [.009]
B	10.03 [.395]	+ .15 [.006]
C	9.78 [.385]	+ .15 [.006]
C1	10.54 [.415]	+ .23 [.009]
D	4.06 [.160]	+ .13 [.005]
E	2.54 [.100]	+ .13 [.005]
E1	3.45 [.136]	+ .13 [.005]
F	0.76 [.030]	+ .08 [.003]
T <sub>1</sub>	3.20 [.126]	+ .25 [.010]
T <sub>2</sub>	1.09 [.043]	REF.

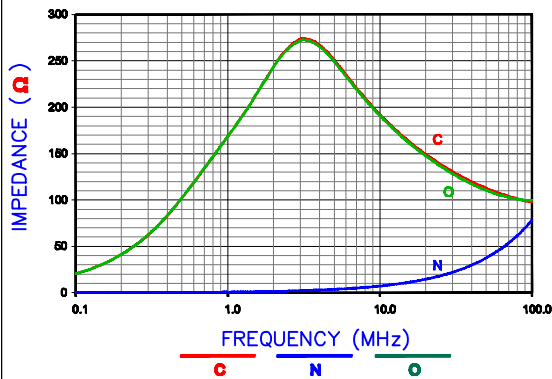
# CM5740Z241B-10



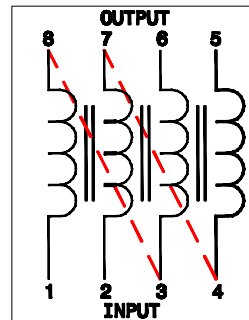
ELECTRICAL CHARACTERISTICS:			
Z @ 4 MHz (2-TURN)	(Ω)	DCR (Ω) VALUE PER TURN	Rated Current
Nominal	240		
Minimum	180		
Maximum	-	0.0013	20,000 mA

- NOTES: UNLESS OTHERWISE SPECIFIED
1. BULK PACKAGED, 825 PCS PER CASE.
  2. COMPONENTS SHOULD BE ADEQUATELY PREHEATED BEFORE SOLDERING.
  3. LINE TO LINE HI-POT: > 500 VDC.

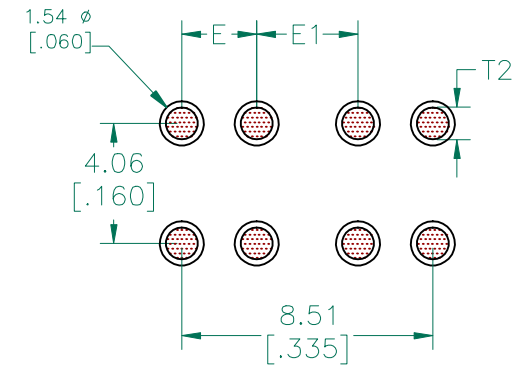
Z vs. FREQUENCY (C,O,N) (2-TURN)



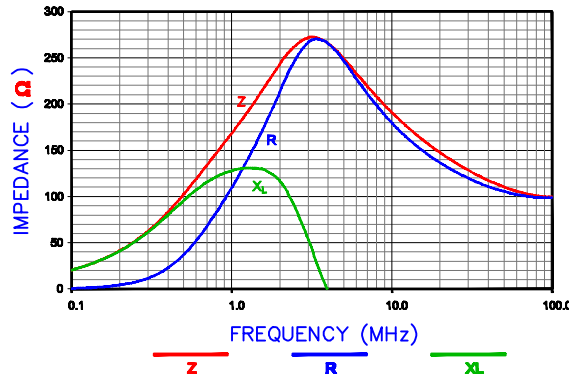
Two Turn Equivalent Circuits



HOLE PATTERNS FOR WAVE SOLDERING

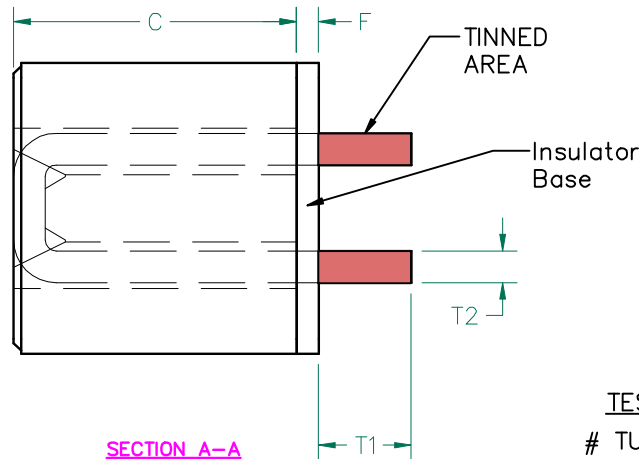
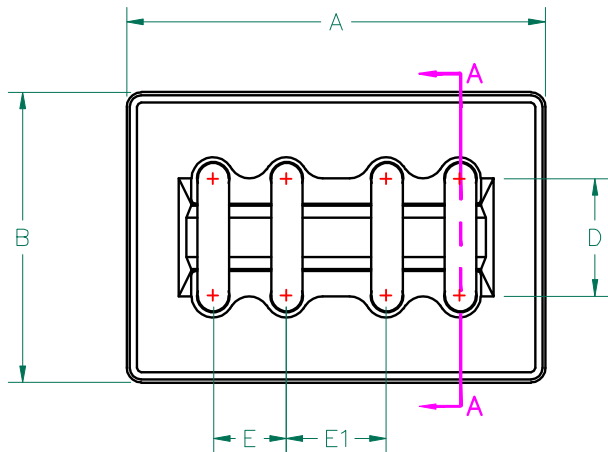


Z, R, XL vs. FREQUENCY (2-TURN)

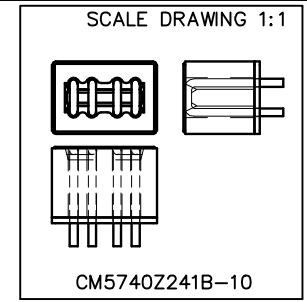


**UNCONTROLLED DOCUMENT**

DIMENSIONS ARE IN mm (INCHES).				This print is the property of Laird Tech. and is loaned in confidence subject to return upon request and with the understanding that no copies shall be made without the written consent of Laird Tech. All rights to design or invention are reserved.			
E	UPDATE COMPANY LOGO & KAPTON LABEL	11/18/08	JRK				
D	ADD TWO LINES TO CENTER OF EQUIVALENT CIRCUIT DIAGRAM	04/16/07	JRK				
C	MOVE CURRENT RATING TO MAX.FROM MIN.	02/23/07	JRK				
B	RE-ACTIVATE PRINT ADD ROHS SYMBOL CHANGE NOTES REMOVE VIEW	01/03/06	JRK				
A	ORIGINAL DRAFT	02/10/04	JRK				
REV	DESCRIPTION	DATE	INT	PROJECT/PART NUMBER: <b>CM5740Z241B-10</b>	REV <b>E</b>	PART TYPE: <b>ASSEMBLY</b>	DRAWN BY: <b>JRK</b>
				DATE: 02/10/04	SCALE: NTS	SHEET: <b>2 of 3</b>	
				CAD # CM5740Z241B-10-E-2	TOOL # H0571		

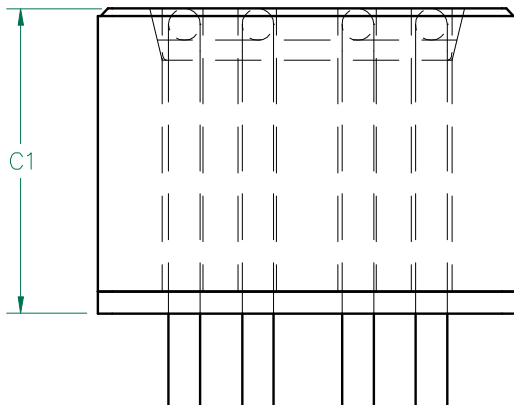


SECTION A-A



ELECTRICAL TESTING

TEST:	GROSS
# TURNS	2
AWG	22
FREQUENCY	4 MHz
NOMINAL	240 Ω
MINIMUM	180 Ω
WEIGHT/1000	5.39 kgs. 11.87 lbs.



**UNCONTROLLED DOCUMENT**

DIMENSIONS:

A	14.48 [.570]	+	0.23 [.009]
B	10.03 [.395]	+	0.15 [.006]
C	9.32 [.385]	+	0.15 [.006]
C1	10.54 [.415]	+	0.23 [.009]
D	4.06 [.160]	+	0.13 [.005]
E	2.54 [.100]	+	0.13 [.005]
E1	3.45 [.136]	+	0.13 [.005]
F	0.76 [.030]	+	0.08 [.003]



NOTES: UNLESS OTHERWISE SPECIFIED

1. WIRE: REFERENCE STEWARD WIRE PURCHASE SPEC. WM040-61.
2. IMPEDANCE VALUES ARE GROSS, MEASURED USING WM040-61 WIRE PLACED AGAINST END OF SLOT w/ NO D.C. BIAS.
3. REFERENCE STEWARD CORE 35H0571-600.
4. LINE TO LINE HI-POT: > 500 VDC.
5. INSULATOR BASE: REF. PART NUMBER: BP5740-030.

WIRE DIMENSIONS:

T1	3.20 [.126]	+	0.25 [.010]
T2	1.09 [.043]		REF.

DIMENSIONS ARE IN mm (INCHES).				This print is the property of Laird Tech. and is loaned in confidence subject to return upon request and with the understanding that no copies shall be made without the written consent of Laird Tech. All rights to design or invention are reserved.		Laird TECHNOLOGIES	
E	UPDATE COMPANY LOGO & KAPTON LABEL	11/18/08	JRK	PROJECT/PART NUMBER:	REV	PART TYPE:	DRAWN BY:
D	ADD TWO LINES TO CENTER OF EQUIVALENT CIRCUIT DIAGRAM	04/16/07	JRK	CM5740Z241B-10	E	ASSEMBLY	JRK
C	MOVE CURRENT RATING TO MAX.FROM MIN.	02/23/07	JRK	DATE:	SCALE:	NTS	SHEET:
B	RE-ACTIVATE PRINT ADD ROHS SYMBOL CHANGE NOTES REMOVE VIEW	01/03/06	JRK	02/10/04			
A	ORIGINAL DRAFT	02/10/04	JRK	CAD #	TOOL #		
REV	DESCRIPTION	DATE	INT	CM5740Z241B-10-E-3	H0571		3 of 3