

CM3032V201R-10

UNCONTROLLED DOCUMENT



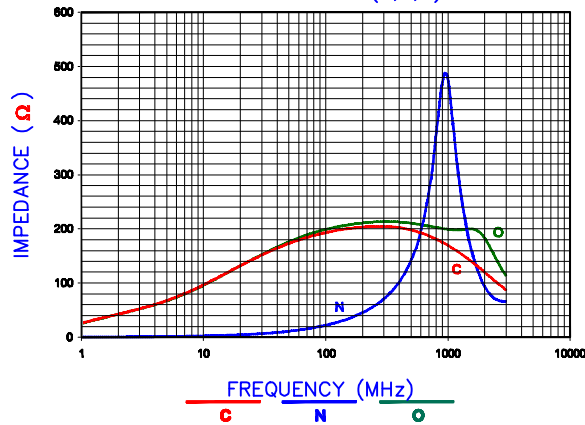
PHYSICAL DIMENSIONS:

A	7.62 [.300]	+ 0.13 [.005]
B	8.13 [.320]	+ 0.13 [.005]
B ₁	10.92 [.430]	MAX
C	9.45 [.372]	+ 0.15 [.006]
C ₁	10.08 [.397]	MAX
D	4.06 [.160]	+ 0.05 [.002]
E	1.27 [.050]	+ 0.13 [.005]
E ₁	2.03 [.080]	+ 0.13 [.005]

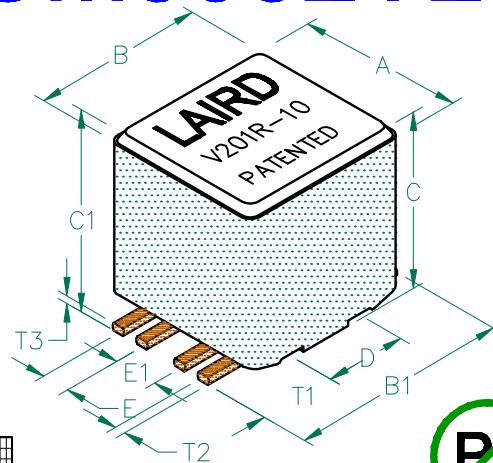
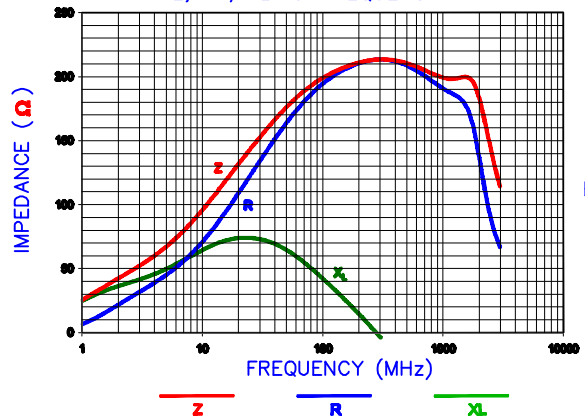
WIRE DIMENSIONS:

T ₁	3.30 [.130]	+ 0.38 [.015]
T ₂	0.64 [.025]	TYP.
T ₃	0.38 [.015]	TYP.

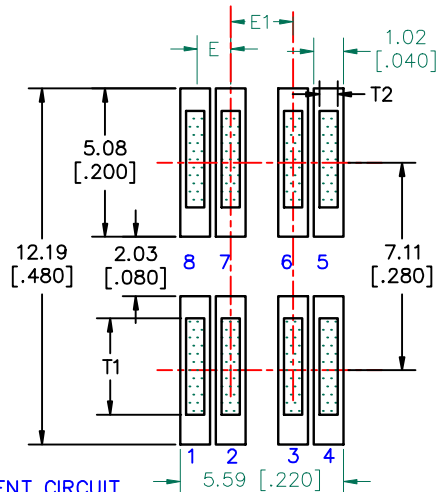
Z vs. FREQUENCY (C,O,N)



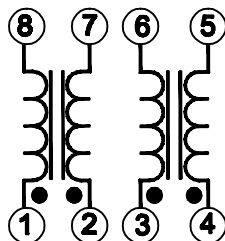
Z, R, XL vs. FREQUENCY



LAND PATTERNS FOR REFLOW SOLDERING



EQUIVALENT CIRCUIT



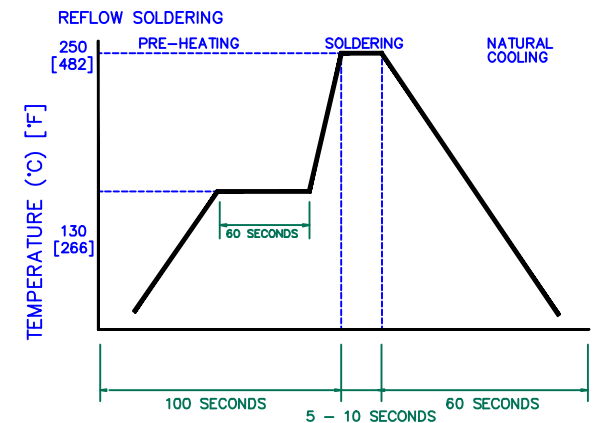
ELECTRICAL CHARACTERISTICS:

Z @ 100MHz (Ω)	DCR (Ω)	Rated Current	Rated Voltage (VDC)
Nominal	200		
Minimum	150		
Maximum	250	0.01	8,000 mA
			30

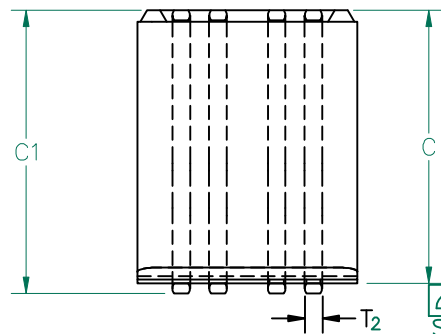
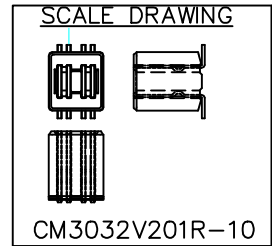
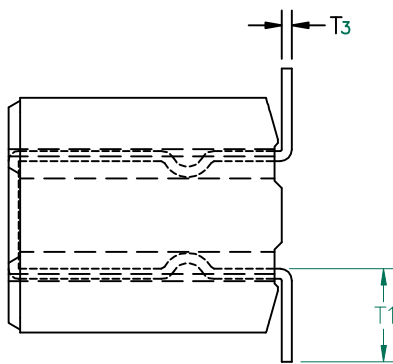
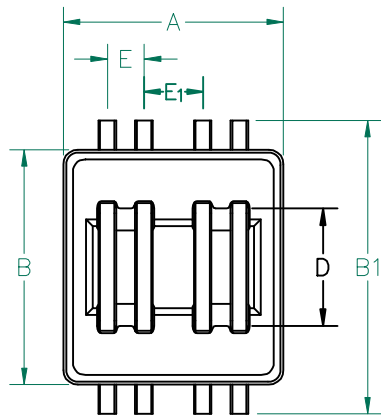
NOTES: UNLESS OTHERWISE SPECIFIED

1. TAPED AND REELED per CURRENT EIA SPECIFICATIONS, 13" REELS, 400 PCS/REEL.
2. COMPONENTS SHOULD BE ADEQUATELY PREHEATED BEFORE SOLDERING.
3. REF. CARRIER TAPE SPECIFICATION # CART3032-23.
4. TERMINATION FINISH IS 100% TIN.
5. THIS PART HAS NO PIN POLARITY.
6. OPERATION TEMPERATURE (INCLUDING SELF-HEATING): -40 ~ +125°C.

RECOMMENDED SOLDERING CONDITIONS



DIMENSIONS ARE IN mm (INCHES).				This print is the property of Laird Tech. and is loaned in confidence subject to return upon request and with the understanding that no copies shall be made without the written consent of Laird Tech. All rights to design or invention are reserved.			
D	ADD RATED VOLTAGE AND NOTE 6	08/30/12	QIU	Laird TECHNOLOGIES PROJECT/PART NUMBER: CM3032V201R-10 REV D PART TYPE: ASSEMBLY DRAWN BY: JRK DATE: 05/28/04 SCALE: NTS SHEET: 2 of 3 CAD # - TOOL # -			
C	UPDATE COMPANY LOGO & KAPTON LABEL ADD EQUIV. CIRCUIT CORRECT REEL QTY	11/05/08	JRK				
B	UPDATE COMPANY LOGO	11/21/07	JRK				
A	ORIGINAL DRAFT	5/28/04	JRK				
REV	DESCRIPTION	DATE	INT				
				PROJECT/PART NUMBER: CM3032V201R-10-D-2			



SEATING PLANE
(CO-PLANARITY)

LAIRD
V201R-10
PATENTED

LABEL

ELECTRICAL TESTING

TEST:	GROSS	GROSS
# TURNS	1	1
AWG	22	22
FREQUENCY	25 MHz	100 MHz
NOMINAL	113 Ω	200 Ω
MINIMUM	87 Ω	150 Ω
MAXIMUM	- Ω	250 Ω
WEIGHT/1000	2.44 kgs.	5.39 lbs.

UNCONTROLLED DOCUMENT

NOTES: UNLESS OTHERWISE SPECIFIED

1. WIRE: REFERENCE STEWARD WIRE PURCHASE SPEC. W0032-21
2. IMPEDANCE VALUES ARE GROSS, MEASURED USING W0032-21 WIRE PLACED AGAINST END OF SLOT w/ NO D.C. BIAS.
3. REFERENCE STEWARD CORE P/N 24H0300-200.
4. PROTECTED BY U.S. PATENT NO. 5,455,552.
5. TERMINATION FINISH IS 100% TIN.
6. THIS PART HAS NO PIN POLARITY.

DIMENSIONS:

A	7.62 [.300]	+	0.13 [.005]
B	8.13 [.320]	+	0.13 [.005]
B1	10.92 [.430]		MAX
C	9.45 [.372]	+	0.15 [.006]
C1	10.08 [.397]		MAX
D	4.06 [.160]	+	0.05 [.002]
E	1.27 [.050]	+	0.13 [.005]
E1	2.03 [.080]	+	0.13 [.005]

WIRE DIMENSIONS:

T1	3.30 [.130]	+	0.38 [.015]
T2	0.64 [.025]		TYP.
T3	0.38 [.015]		TYP.



DIMENSIONS ARE IN mm (INCHES).				This print is the property of Laird Tech. and is loaned in confidence subject to return upon request and with the understanding that no copies shall be made without the written consent of Laird Tech. All rights to design or invention are reserved.		Laird TECHNOLOGIES	
D	ADD RATED VOLTAGE AND NOTE 6	08/30/12	QIU	PROJECT/PART NUMBER:	REV	PART TYPE:	DRAWN BY:
C	UPDATE COMPANY LOGO & KAPTON LABEL ADD EQUIV. CIRCUIT CORRECT REEL QTY	11/05/08	JRK	CM3032V201R-10	D	CO-FIRE	JRK
B	UPDATE COMPANY LOGO	11/21/07	JRK	DATE:	SCALE:	NTS	SHEET:
A	ORIGINAL DRAFT	5/28/04	JRK	05/28/04			3 of 3
REV	DESCRIPTION	DATE	INT	CAD #	TOOL #	H0300-100	
				CM3032V201R-10-D-3			