

# Inductive Sensor M18 - Long Housing



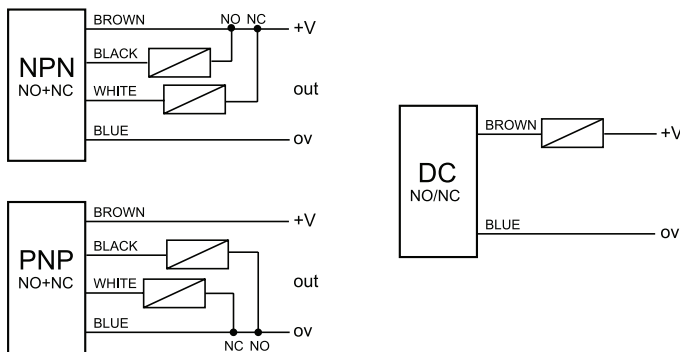
## Features:

- Inductive sensor
- Shielded type (5mm)
- With LED operation indicate lamp, easily identifiable
- Brass chrome plated, proof of oil, water acid, alkaline
- Over-current protection
- Widely applied in measuring, Counting, Rpm measuring in mechanism, chemical, paper manufacture light industry, etc.

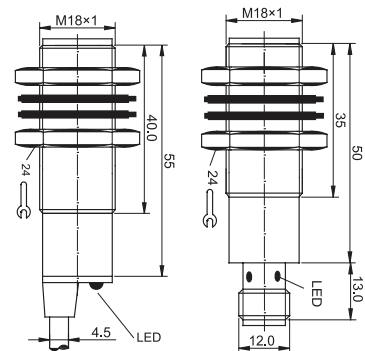
## Specifications:

Style	: Cylinder shape
Sensing Distance	: 0 to 4mm shielded
Diameter	: 18mm
Mounting Distance	: Shielded (5mm)
Standard Sensing Object	: ferrous metals
Protection Rate	: IP67, water resistant
Frequency	: 700Hz/400Hz (DC 3/2 wires)
Current Output (DC/AC)	: ≤ 200mA
Power Supply	: 10 to 30V DC
Ambient temperature	: -20°C to +70°C
Against Polarity Reversal	: YES

## Electrical Connection:



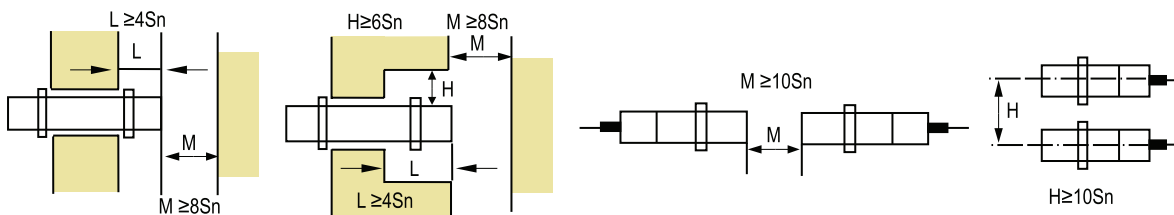
## Picture of Product



Shielded Dimensions : Millimetres

## Installation

If used in an area surrounded by metal, Install the proximity Sensor as follows . (Sn = Sensing distance)

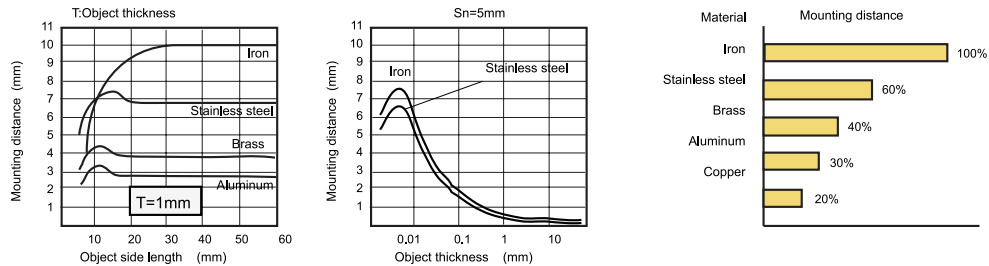


# Inductive Sensor M18 - Long Housing

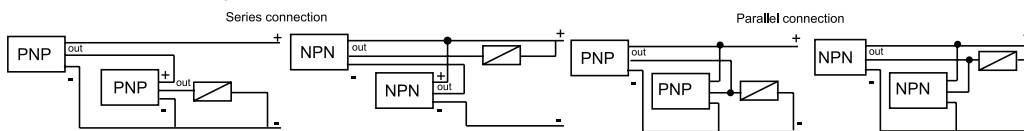


## Inductive Proximity Application Direction

- Set mounting distance equal to 80% of Sn.
- Set mounting distance roughly equal to 50% of Sn when sensor is used measuring mounting frequency or operating in high speed circumstances.
- Mounting distance will change depending on material (iron, stainless steel, brass, copper and aluminum).



## d. Inductive Proximity series connection and parallel connection



## Part Number Table

Description	Connector Model	Output Type	Part Number
Sensor, M18, NPN, Shielded, NO	3 Wire	NPN NO	MCPIN-T18L-001
Sensor, M18, NPN, Shielded, NC	3 Wire	NPN NC	MCPIN-T18L-011
Sensor, M18, NPN, Shielded, NO	Straight Plug In Connector	NPN NO	MCPIN-T18L-101
Sensor, M18, NPN, Shielded, NC	Straight Plug In Connector	NPN NC	MCPIN-T18L-111
Sensor, M18, PNP, Shielded, NO	3 Wire	PNP NO	MCPIP-T18L-001
Sensor, M18, PNP, Shielded, NC	3 Wire	PNP NC	MCPIP-T18L-011
Sensor, Inductive, 4mm, 10V-30V	Straight Plug In Connector	PNP NO	MCPIP-T18L-101
Sensor, Inductive, 4mm, 10V-30V	Straight Plug In Connector	PNP NC	MCPIP-T18L-111

**Important Notice :** This data sheet and its contents (the "Information") belong to the members of the Premier Farnell group of companies (the "Group") or are licensed to it. No licence is granted for the use of it other than for information purposes in connection with the products to which it relates. No licence of any intellectual property rights is granted. The Information is subject to change without notice and replaces all data sheets previously supplied. The Information supplied is believed to be accurate but the Group assumes no responsibility for its accuracy or completeness, any error in or omission from it or for any use made of it. Users of this data sheet should check for themselves the Information and the suitability of the products for their purpose and not make any assumptions based on information included or omitted. Liability for loss or damage resulting from any reliance on the Information or use of it (including liability resulting from negligence or where the Group was aware of the possibility of such loss or damage arising) is excluded. This will not operate to limit or restrict the Group's liability for death or personal injury resulting from its negligence. Multicomp is the registered trademark of the Group. © Premier Farnell plc 2012.

