

FSG2NE

pressure switch FSG 4.6 bar - adjustable scale
2 thresholds - 2NC



Main

Range of product	OsiSense XM
Pressure sensor type	Electromechanical pressure sensor
Pressure sensor name	FSG
Pressure sensor size	66.72 psi (4.6 bar)
Fluid connection type	G 1/4 (female) ISO 228
Controlled fluid	Fresh water 32...158 °F (0...70 °C) Sea water 32...158 °F (0...70 °C)
Cable entry	2 entries incorporating Pg 13.5 plastic cable gland, cable outer diameter: 9...13 mm conforming to NF C 68-300
Contacts type and composition	2 NC snap action
Product specific application	-
Pressure switch type of operation	Regulation between 2 thresholds
Line Rated Current	10 A 250 V AC EN 60730-1
Electrical connection	Screw-clamp terminals 1 x 1...2 x 2 mm ²
Short-circuit protection	20 A cartridge fuse, type gG
Scale type	Adjustable differential
Setting	Internal
Local display	Without
Electrical circuit type	Power circuit

Complementary

Materials in contact with fluid	Zinc plated steel Nitrile Nylon 6/6
Enclosure material	PS
Operating position	Any position
Motor power kW	0.75 KW 1 hp 110 V AC, 1 phase 1.1 KW 1.5 hp 110 V AC, 3 phase 1.5 KW 2 hp 230 V AC, 1 phase 1.5 KW 2 hp 400 V AC, 1 phase 2.2 KW 3 hp 230 V AC, 3 phase 2.2 kW 3 hp 400 V AC, 3 phase
Adjustable range of switching point on falling pressure	4.35...49.31 psi (0.3...3.4 bar)
Adjustable range of switching point on rising pressure	20.31...66.72 psi (1.4...4.6 bar)
Possible differential minimum at low setting	14.50 psi (1 bar)
Possible differential minimum at high setting	17.40 psi (1.2 bar)
Possible differential maximum at low setting	30.46 psi (2.1 bar)
Possible differential maximum at high setting	33.36 psi (2.3 bar)
Maximum permissible accidental pressure	116.03 psi (8 bar)
Maximum permissible pressure - per cycle	83.40 psi (5.75 bar)
Destruction pressure	290.08 psi (20 bar)
Pressure actuator	Diaphragm
Electrical durability	100000 cycles 10 cyc/mn
Mechanical durability	1000000 cycles
Terminal block type	4 terminals
Possible differential minimum at middle setting	15.95 psi (1.1 bar)

Possible differential maximum at middle setting	31.91 psi (2.2 bar)
Maximum operating rate	10 cyc/mn
[Ui] rated insulation voltage	500 V EN/IEC 60947-1
[Uimp] rated impulse withstand voltage	6 kV EN/IEC 60947-1
Net Weight	0.79 lb(US) (0.36 kg)
Repeat accuracy	2 %
Terminals description ISO n°1	(1-2)NC (3-4)NC
Depth	4.17 in (106 mm)
Height	4.53 in (115 mm)
Maximum Width	2.83 in (72 mm)

Environment

Standards	CE EN/IEC 60730
Ambient air temperature for operation	32...113 °F (0...45 °C)
Ambient air temperature for storage	-22...176 °F (-30...80 °C)
Protective treatment	TC
Electrical shock protection class	Class I IEC 536
IP degree of protection	IP65 conforming to EN/IEC 60529

Ordering and shipping details

Category	22661-XMLA,B,C,D PRESSURE SWITCHES
Discount Schedule	DS2
GTIN	03389110249347
Package weight(Lbs)	0.88 lb(US) (0.400 kg)
Returnability	No
Country of origin	MX

Packing Units

Package 1 Height	0.800 dm
Package 1 width	1.100 dm
Package 1 Length	1.100 dm

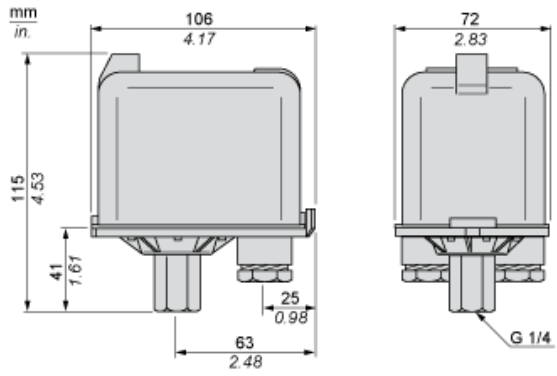
Offer Sustainability

California proposition 65	WARNING: This product can expose you to chemicals including: Diisononyl phthalate (DINP), which is known to the State of California to cause cancer, and Di-isodecyl phthalate (DIDP), which is known to the State of California to cause birth defects or other reproductive harm. For more information go to www.P65Warnings.ca.gov
EU RoHS Directive	Compliant EU RoHS Declaration
Mercury free	Yes
RoHS exemption information	Yes
Environmental Disclosure	Product Environmental Profile
Circularity Profile	End Of Life Information

Contractual warranty

Warranty	18 months
----------	-----------

Dimensions



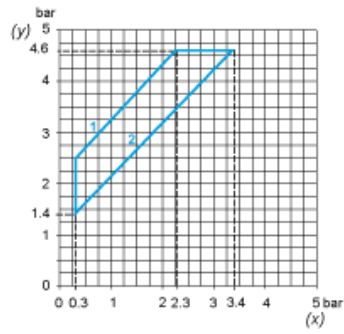
Wiring Diagram

Connections

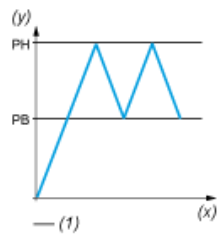


Curves

Operating Curves



- (y) Rising pressure
- (x) Falling pressure
- 1 : Maximum differential
- 2 : Minimum differential



- (y) Pressure
- (x) Time
- (1) Adjustable value