

XMLB300D2S11

pressure switch XMLB 300 bar - adjustable
scale 2 thresholds - 1 C/O



Main

| | |
|---------------------------------------------------------|--------------------------------------------------------------------------------------------------------------------------------------------------------------------------------------------------|
| Range of product | OsiSense XM |
| Product or component type | Electromechanical pressure sensor |
| Pressure sensor type | Electromechanical pressure sensor |
| Device short name | XMLB |
| Pressure sensor size | 4351.13 psi (300 bar) |
| Controlled fluid | Hydraulic oil (0...160 °C) |
| Fluid connection type | G 1/4 (female) conforming to ISO 228 |
| Electrical connection | Screw-clamps terminals, 1 x 0.5...2 x 2.5 mm ² 1 connector Pg 13 |
| AWG gauge | AWG 20...AWG 14 |
| Cable entry | Cable gland 0.35...0.51 in (9...13 mm) |
| Contacts type and composition | 1 C/O |
| Product specific application | - |
| Pressure switch type of operation | Regulation between 2 thresholds |
| Electrical circuit type | Control circuit |
| Scale type | Adjustable differential |
| Local display | With |
| Adjustable range of switching point on rising pressure | 319.08...4351.13 psi (22...300 bar) |
| Adjustable range of switching point on falling pressure | 37.71...3814.49 psi (2.6...263 bar) |
| Possible differential maximum at high setting | 2900.75 psi (200 bar) |
| Maximum permissible accidental pressure | 9790.05 psi (675 bar) |
| Destruction pressure | 19580.10 psi (1350 bar) |
| Pressure actuator | Piston |
| Materials in contact with fluid | PTFE FPM, FKM Brass Steel |
| Enclosure material | Zinc alloy |
| Line Rated Current | 3 A, B300, AC-15 (Ue = 120 V) conforming to EN/IEC 60947-5-1 1.5 A, B300, AC-15 (Ue = 240 V) conforming to EN/IEC 60947-5-1 0.1 A, R300, DC-13 (Ue = 250 V) conforming to EN/IEC 60947-5-1 |

Complementary

| | |
|-----------------------------------------------|---------------------------------|
| Possible differential minimum at low setting | 19.4 bar (- 1.5 bar, + 1.7 bar) |
| Possible differential minimum at high setting | 37 bar (- 1 bar, + 4 bar) |
| Maximum permissible pressure - per cycle | 5438.92 psi (375 bar) |
| Terminal block type | 4 terminals |
| Maximum operating rate | 60 cyc/mn |
| Repeat accuracy | 2 % |

| | |
|----------------------------------------|---------------------------------------------------------------------------------------------------------|
| [Ui] rated insulation voltage | 300 V conforming to UL 508 500 V conforming to EN/IEC 60947-1 300 V conforming to CSA C22.2 No 14 |
| [Uimp] rated impulse withstand voltage | 6 kV EN/IEC 60947-1 |
| Auxiliary contacts operation | Snap action |
| Contacts material | Silver contacts |
| Maximum resistance across terminals | 25 MOhm conforming to IEC 255-7 category 3 25 mOhm conforming to NF C 93-050 method A |
| Short-circuit protection | 10 A cartridge fuse, type gG (gl) |
| Mechanical durability | 3000000 cycles |
| Setting | External |
| Height | 4.45 in (113 mm) |
| Depth | 2.95 in (75 mm) |
| Width | 1.38 in (35 mm) |
| Net weight | 1.65 lb(US) (0.75 kg) |

Environment

| | |
|---------------------------------------|------------------------------------------------------------------------------------------------------|
| Standards | CSA C22.2 No 14 EN/IEC 60947-5-1 CE UL 508 |
| Product certifications | CSA BV EAC LROS (Lloyds register of shipping) CCC UL |
| Protective treatment | TC standard version |
| Ambient air temperature for operation | -13...158 °F (-25...70 °C) |
| Ambient air temperature for storage | -40...158 °F (-40...70 °C) |
| Operating position | Any position |
| Vibration resistance | 4 gn conforming to IEC 60068-2-6 (f = 30...500 Hz) |
| Shock resistance | 50 gn conforming to IEC 60068-2-27 |
| Electrical shock protection class | Class I conforming to IEC 1140 Class I conforming to IEC 536 Class I conforming to NF C 20-030 |
| IP degree of protection | IP66 EN/IEC 60529 |

Ordering and shipping details

| | |
|-----------------------|--------------------------------------|
| Category | 22661 - XMLA,B,C,D PRESSURE SWITCHES |
| Discount Schedule | DS2 |
| GTIN | 00785901876977 |
| Nbr. of units in pkg. | 1 |
| Package weight(Lbs) | 1.67 lb(US) (0.76 kg) |
| Returnability | No |
| Country of origin | CZ |

Packing Units

| | |
|------------------------------|--------------------------|
| Unit Type of Package 1 | PCE |
| Package 1 Height | 1.65 in (4.2 cm) |
| Package 1 width | 3.23 in (8.2 cm) |
| Package 1 Length | 4.57 in (11.6 cm) |
| Unit Type of Package 2 | S02 |
| Number of Units in Package 2 | 13 |
| Package 2 Weight | 23.22 lb(US) (10.533 kg) |
| Package 2 Height | 5.91 in (15 cm) |
| Package 2 width | 11.81 in (30 cm) |
| Package 2 Length | 15.75 in (40 cm) |

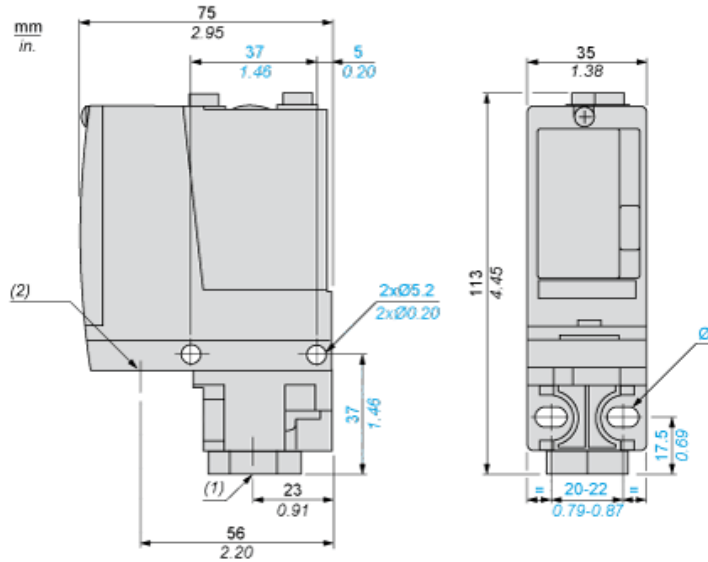
Offer Sustainability

| | |
|----------------------------|-----------------------------------------------------------------------------------------------------------------------------------------------------------------------------------------------------------------------------------------------------------------------------------------------------------------------------------------------------------------------------------|
| Sustainable offer status | Green Premium product |
| California proposition 65 | WARNING: This product can expose you to chemicals including: Diisononyl phthalate (DINP), which is known to the State of California to cause cancer, and Di-isodecyl phthalate (DIDP), which is known to the State of California to cause birth defects or other reproductive harm. For more information go to www.P65Warnings.ca.gov |
| REACH Regulation | REACH Declaration |
| EU RoHS Directive | Pro-active compliance (Product out of EU RoHS legal scope) EU RoHS Declaration |
| Mercury free | Yes |
| RoHS exemption information | Yes |
| Environmental Disclosure | Product Environmental Profile |

Contractual warranty

| | |
|----------|-----------|
| Warranty | 18 months |
|----------|-----------|

Dimensions



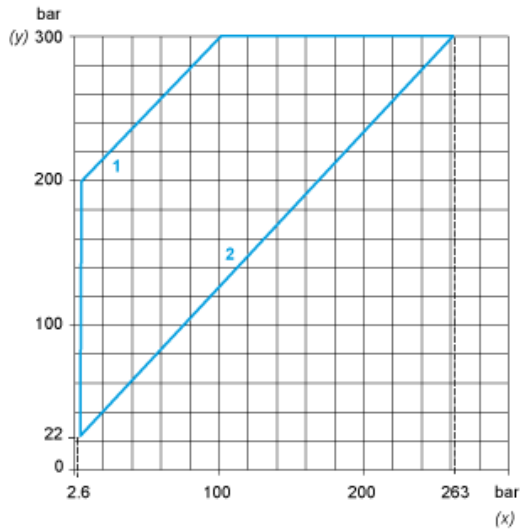
- (1) 1 fluid entry, tapped G1/4 (BSP female)
- (2) 1 electrical connections entry, tapped Pg 13.5
- Ø : 2 elongated holes Ø 5.2 x 6.7

Wiring Diagram

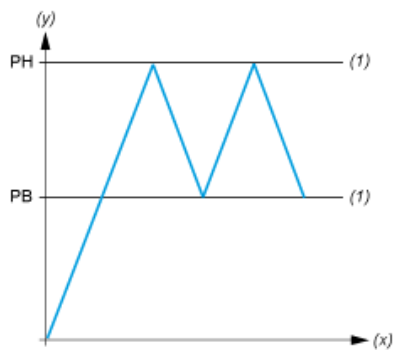
Terminal Model



Operating Curves



- (y) Rising pressure
- (x) Falling pressure
- 1 : Maximum differential
- 2 : Minimum differential



- (y) Pressure
- (x) Time
- (1) Adjustable value
- PH : High point
- PB : Below point