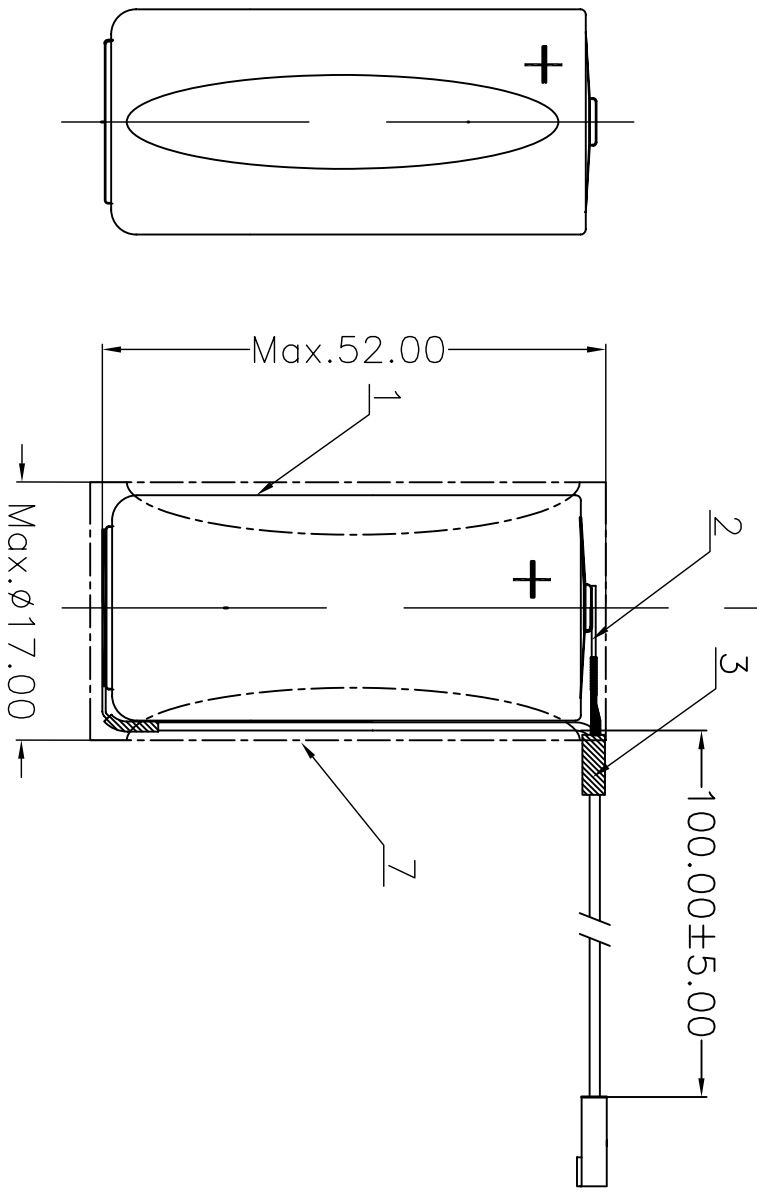
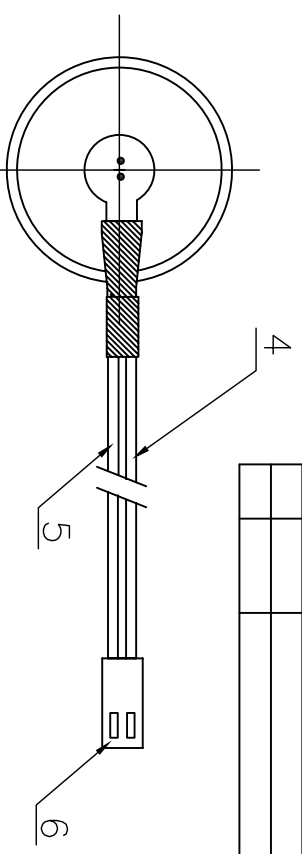


3D FILE NAME

Sym	Date	ECN No.	Description	Modify	Appr.



NO	NAME	SPEC	QTY.
7	PVC TUBE	63*0.1	1PCS
6	CONTACT	2510HX-2P	1PCS
5	BLACK WIRE	UL1332 24AWG	1PCS
4	RED WIRE	UL1332 24AWG	1PCS
3	PE TUBE	$\phi 2.5$	1PCS
2	NICKEL	3*0.15	1PCS
1	CELL	ER14505C	1PCS

THIS DRAWING USED FOR

GENERAL TOLERANCE

DIMENSIONAL TOLERANCES

X :±0.3
 X.X :±0.2
 X.XX :±0.1
 angles :±0.5°

DON'T COPY WITHOUT ALLOWED BY R&D OF EVE.

3RD. ANGLE'S



SHSD

FINISHING & TREATMENT

QTY'

A.02.F0352080

F0352H-LF



EVE Energy Co., Ltd.

F0352H-DRAWING

APPROVED

CHECKED

DESIGNED

FILE NAME

UNIT mm

DRAWING NO.

Rev. A

SIZE A4

SCALE

SHEET 0F

A B C D E F

1 2 3 4