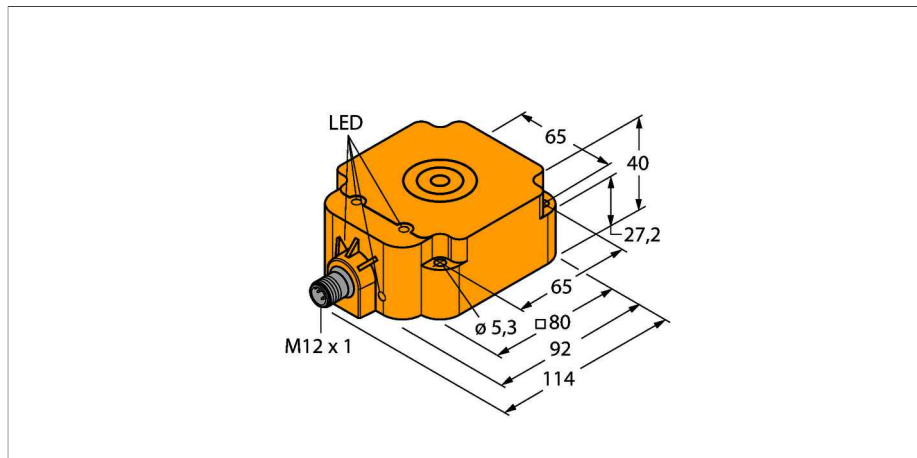


BI50U-Q80-AP6X2-H1141

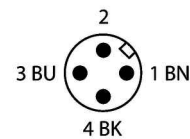
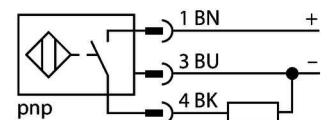
Inductive sensor



Features

- Rectangular, height 40 mm
- Active face on top
- Plastic, PBT-GF30-V0
- Factor 1 for all metals
- Increased switching distance
- Protection class IP68
- Resistant to magnetic fields
- DC 3-wire, 10...30 VDC
- NO contact, PNP output
- M12 x 1 male connector

Wiring diagram



Inductive sensors detect metal objects contactless and wear-free. Due to the patented multi-coil system, *upro^x*+ sensors have distinct advantages over conventional sensors. They excel in largest switching distances, maximum flexibility and operational reliability as well as efficient standardization.

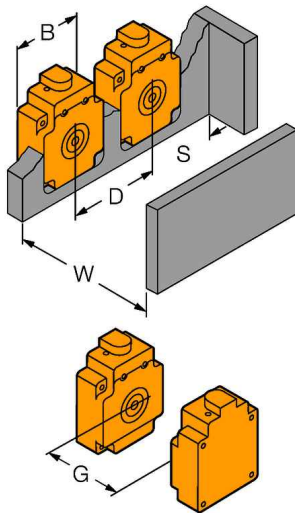
Technical data

Type	BI50U-Q80-AP6X2-H1141
ID number	1608940
Rated switching distance	50 mm
Mounting conditions	Flush
Secured operating distance	≤ (0,81 x S _{sn}) mm
Repeat accuracy	≤ 2 % of full scale
Temperature drift	≤ ± 10 %
Hysteresis	1... 15 %
Ambient temperature	-25...+70 °C
Operating voltage	10...30 VDC
Residual ripple	≤ 10 % U _{ss}
DC rated operational current	≤ 200 mA
No-load current	≤ 15 mA
Residual current	≤ 0.1 mA
Isolation test voltage	≤ 0.5 kV
Short-circuit protection	yes / Cyclic
Voltage drop at	≤ 1.8 V
Wire breakage/Reverse polarity protection	yes / Complete
Output function	3-wire, NO contact, PNP
Protection class	□
Switching frequency	0.25 kHz
Design	Rectangular, Q80
Dimensions	92 x 80 x 40 mm
Housing material	Plastic, PBT-GF30-V0
Active area material	PBT-GF30-V0, black
Tightening torque fixing screw	4 Nm
Electrical connection	Connector, M12 x 1

Technical data

Vibration resistance	55 Hz (1 mm)
Shock resistance	30 g (11 ms)
Protection class	IP68
MTTF	874 years acc. to SN 29500 (Ed. 99) 40 °C
Power-on indication	LED green
Switching state	LED yellow

Mounting instructions/Description



Distance D	240 mm
Distance W	150 mm
Distance S	80 mm
Distance G	300 mm
Width active area B	80 mm

Wiring accessories

Type	ID number
RKC4T-2/TEL	6625010

Connection cable, female M12, straight, 3-pin, cable length: 2 m, sheath material: PVC, black; cULus approval; other cable lengths and qualities available, see www.turck.com

