

# LED-6w /500mA

## Constant Current LED Driver

### Standards

Converter meets CE standards  
 Pending approval by UL as a Class 2 recognized component  
 File # E193999  
 VDE and VDE EMC pending  
 IP67

### Available Versions

**901006501-** LED 6W DC 500mA (European version)  
**901006501U-** LED 6W DC 500mA (US version)

### Mechanical and Thermal

#### European Version:

Dimensions (mm)	45 x 45 x 25
Weight	92.8 grams
Tc Max	90°C
Ta Max	50°C
Output wire	Red, Black single insulated 0.75mm <sup>2</sup> 300 V 180°C VDE 0250
Input wire	Blue, Brown double insulated 0.75mm <sup>2</sup> 300 V 180°C VDE 0250

#### US Version:

Dimensions (in)	1.77 x 1.77 x 0.98
Weight	3.2 ounces
Tc Max	90°C
Ta Max	50°C
Output wire	Red, Blue single insulated 18 AWG 300V 200°C UL1332
Input wire	White, Black double insulated 18 AWG 300V 200°C UL1332



### Electrical

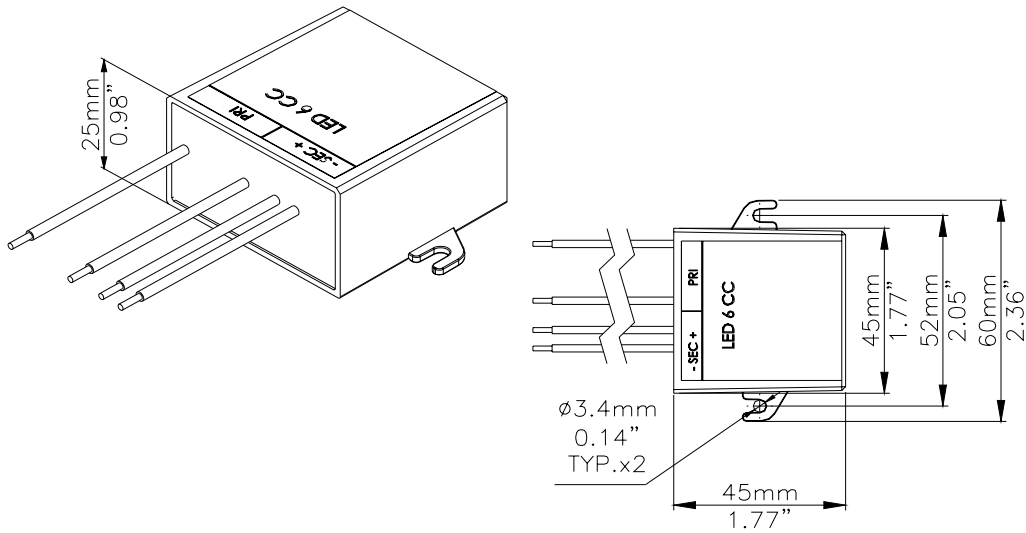
Load	1-6 VA
Input Voltage	120-240-277 V 0/50/60Hz
Maximum Input Current	0.2A @ 120V 0.1A @ 240/277V
Output Current	500mA±8%
Output Voltage	2-14V
EMC (RFI)	FCC Class A/EN 55015
Harmonics	EN 61000-3-2
Electrostatic Discharge	IEC61000-4-2
EMC Immunity	IEC61000-4-3
Burst	IEC61000-4-4
Surge	IEC61000-4-5
Injected RF	IEC61000-4-6
Mains interruption	IEC61000-4-11
Immunity	EN 61547/61047
Safety	EN 61347-2-13
SELV	

### Protection and Regulation

Electronic internal resettable short circuit protection. Thermal protection and overload regulation.



SPECIFICATION



### Mounting Instructions

LED 500mA  
From 1 to 3 leds  
in series.

max. 3m (118") BLACK WIRE  
BLUE WIRE

max. 3m (118") RED WIRE

LED 6 DC 500mA

IN1 IN2

OUT2 -  
+OUT1

L N  
BROWN WIRE  
BLACK WIRE  
BLUE WIRE  
WHITE WIRE

### Safety Instructions

1. Always disconnect power before installation and / or removal of unit.
2. Install in accordance with national and local electrical codes.
3. Wires: Input and output wires 0.75mm<sup>2</sup> or 18AWG