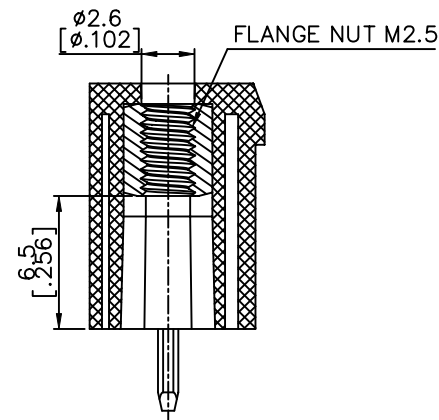
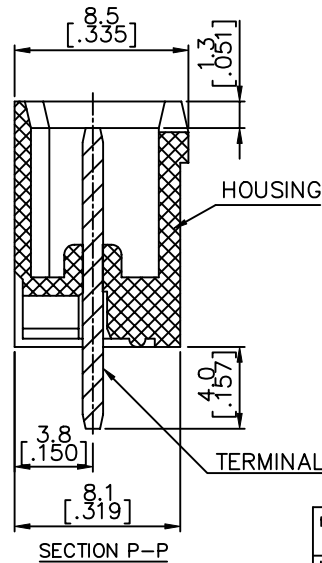
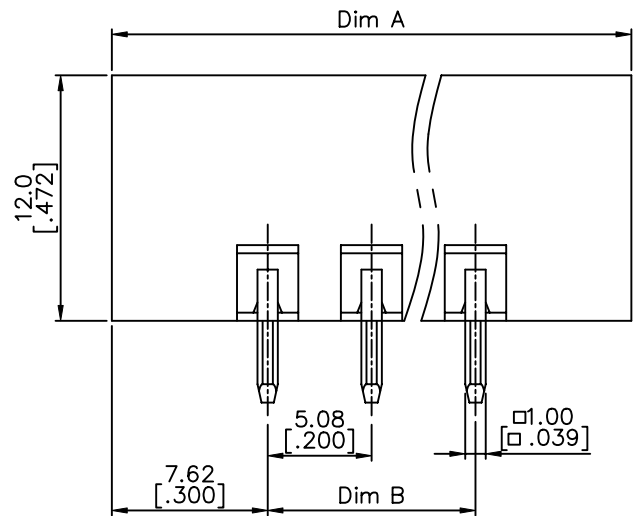
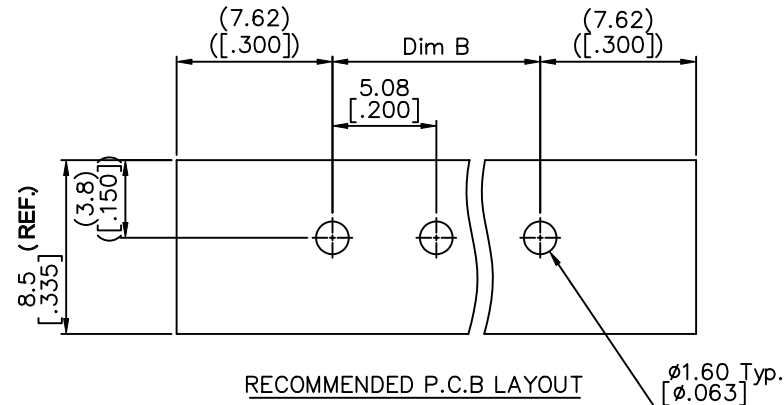
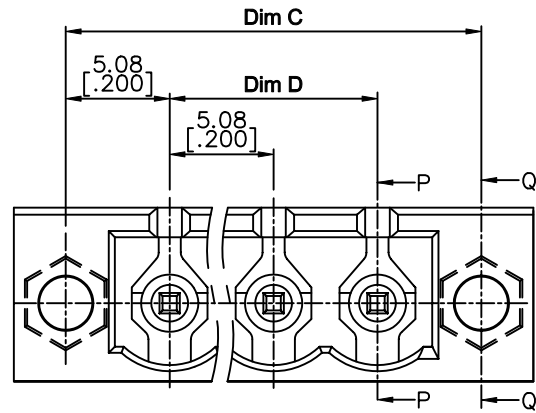




PRODUCT NUMBER	SERIES NAME	PITCH
20020108-HXXXXXXLF	06-508	5.08 mm



N= NUMBER OF POLES

Dim A	(N+2)*5.08
Dim B	(N-1)*5.08
Dim C	(N+1)*5.08
Dim D	(N-1)*5.08

Poles	Tolerance
2P-6P	±0.15
7P-12P	±0.20
13P-18P	±0.30
19P-24P	±0.40

mat'l. code		surface ASME Y14.5	tolerance ASME Y14.5	projection	product family TERMINAL BLOCK
ltr	ecn no	dr	date	 MM INCH	title TERMINAL BLOCK PLUGGABLE, SOCKET, SIGNAL, STRAIGHT W/FLANGE
E					
		angles	int	scale	dwg no
		X±1°	X.X±0.1[.004]		sheet 5 of 5 size
		dr	WENDY CHEN	042310	20020108
		enr	JASON HSU	042310	A4
		chr	GARY HSIEH	042310	
		appd	JOSEPH HSIA	042310	
sheet index		revision sheet		type CUSTOMER Drawing	