

Multilayer Ceramic Capacitor

RoHS
Compliant



Features:

- For General Purpose
- Capacitor Dielectric Material : Multilayer Ceramic
- Termination : Radial Leaded
- Lead Pitch : 2.54mm

Ordering informations:

MC	0805	B	104	K	500	2.54MM
↓	↓	↓	↓	↓	↓	↓
A	B	C	D	E	F	G

A
Product Type

B	
Unit : Inches	
Chip Size (L×W)	
Code	Chip
0805	0.08 × 0.05
1206	0.12 × 0.06

C	
Dielectric	
N	COG (NPO)
B	X7R
Y	Y5V

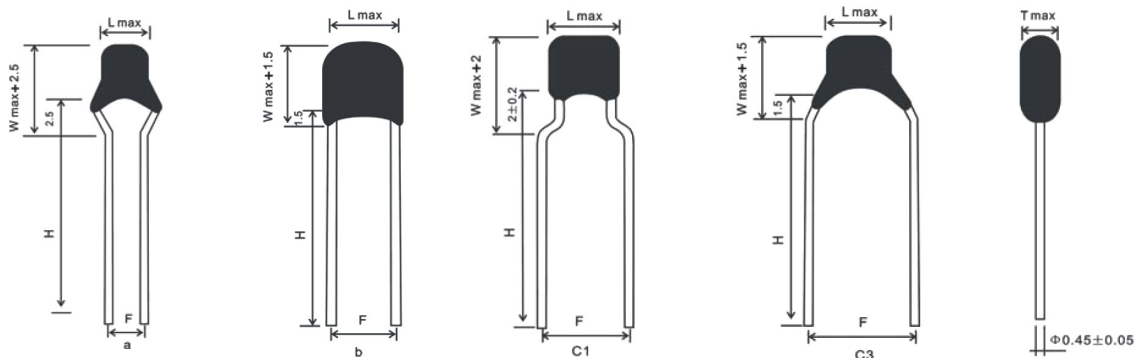
D
Capacitance
First two digits are significant third digit is number of zeros. For Example: 104=100000pF 5R6=5.6pF

E	
Tolerance	
C	±0.25pF
D	±0.5pF
J	±5%
K	±10%
M	±20%

F
Rated Voltage
The code meaning is same as capacitance. For Example: 101=100V 500=50V

G	
Packaging Style	
Ammo	2.54mm

Dimensions:



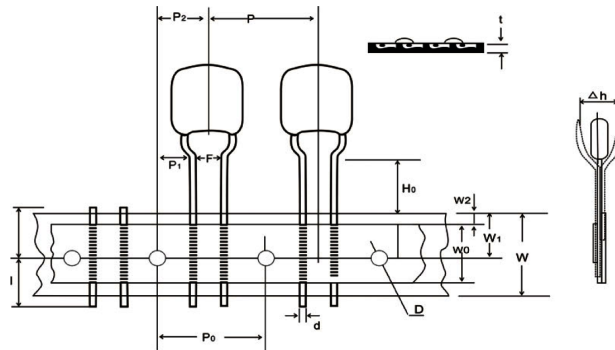
www.element14.com
www.farnell.com
www.newark.com



Multilayer Ceramic Capacitor

Size Code	Shape	Dimensions (mm)					Voltage	Capacitance (pF)		
		F (±0.5)	H (±1)	L max.	W max.	T max.		NPO	X7R	Y5V
0805	a	2.54	5				25V 50V 100V	0R5~332 0R5~222 0R5~102	331~104 331~104 331~104	103~105 103~684
	b	2.54	10							
	C1	5.08	5 / 10	4.2	3.8	3.8				
	C2	5.08	5							
	C3	5.08	5 / 10							
1206	a	2.54					25V 50V 100V	0R5~682 0R5~472 0R5~392	102~224 102~104 102~105	103~125 103~105
	b	3.50	10	5	4.5	3.8				
	C1	5.08								

Packaging Style:



Description	Symbol	Dimensions (mm)	Remarks
Pitch Of Component	P	12.7 ±1.0	Cumulative Pitch Error : ±1mm /20 Pitches
Feedhold Pitch	PO	12.7 ±0.3	For F:5.08, 5.1±0.7 For F:2.54
Feed Hold Center To Lead	P1	3.85 ±0.7	
Feed Hold Centre To Component Centre	P2	8.35 ±1.3	To Lead Tip Within TOL
Lead To Lead Spacing	F	5.08 +0.8/-0.2 or 2.5 +0.8/-0.2	The alignment from the center of the lead is ±1.0mm
Component Alignment, F-R	ΔH	2 Max.	
Tape Width	W	18 ±1	
Adhesive Tape Width	W0	12 ±1	
Hole Position	W1	9 ±0.5	Adhesive Tape Must Not Protrude From Bode Paper
Adhesive Tape Position	W2	3 Max	6.5 ≤ H0-W1
Lead-Wire Clinch Height	H0	15-20 ±0.5	
Component Height	H1	32.25 Max.	
Feed Hole Diameter	D0	4 ±0.3	
Total Tape Thickness	T	0.7 ±0.2	

Important Notice : This data sheet and its contents (the "Information") belong to the members of the Premier Farnell group of companies (the "Group") or are licensed to it. No licence is granted for the use of it other than for information purposes in connection with the products to which it relates. No licence of any intellectual property rights is granted. The Information is subject to change without notice and replaces all data sheets previously supplied. The Information supplied is believed to be accurate but the Group assumes no responsibility for its accuracy or completeness, any error in or omission from it or for any use made of it. Users of this data sheet should check for themselves the Information and the suitability of the products for their purpose and not make any assumptions based on information included or omitted. Liability for loss or damage resulting from any reliance on the Information or use of it (including liability resulting from negligence or where the Group was aware of the possibility of such loss or damage arising) is excluded. This will not operate to limit or restrict the Group's liability for death or personal injury resulting from its negligence. Multicomp is the registered trademark of the Group. © Premier Farnell plc 2012.