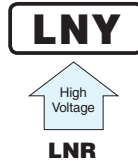


# ALUMINUM ELECTROLYTIC CAPACITORS

# LNY

Screw Terminal Type, 85°C Higher Capacitance

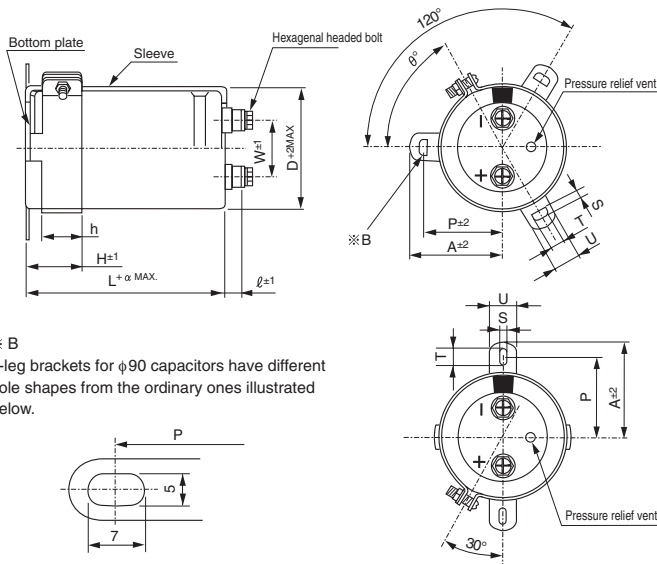
- Suited for equipment down sizing.
- Load life of 2000 hours application of ripple current at 85°C
- Compliant to the RoHS directive (2011/65/EU).



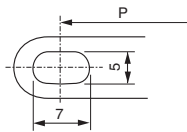
## Specifications

Item	Performance Characteristics		
Category Temperature Range	- 40 to +85°C		
Rated Voltage Range	350 to 450V		
Rated Capacitance Range	820 to 22000µF		
Capacitance Tolerance	±20% (120Hz, 20°C)		
Leakage Current	After 5 minutes' application of rated voltage, leakage current is not more than $3\sqrt{CV}$ (µA) or 5 mA, whichever is smaller. (at 20°C) [C: Rated Capacitance(µF), V: Voltage (V)]		
Tangent of loss angle (tan δ)	0.25MAX. (120Hz at 20°C)		
Stability at Low Temperature	Rated voltage(V)	350 to 450	
	Impedance ratio ZT/Z20(MAX.)	Z - 40°C / Z+20°C 12	
Measurement frequency : 120Hz			
Insulation Resistance	The insulation resistance shall be more than 100MΩ at DC 500V application between terminal and bracket.		
Voltage proof	There is no abnormality during AC 2500V 1 minute's application between terminal and bracket.		
Endurance	The specifications listed at right shall be met when the capacitors are restored to 20°C after D.C. bias plus rated ripple current is applied for 2000 hours at 85°C, the peak voltage shall not exceed the rated voltage.	Capacitance change	Within ±20% of the initial capacitance value
		tan δ	300% or less than the initial specified value
		Leakage current	Less than or equal to the initial specified value
Shelf Life	After storing the capacitors under no load at 85°C for 1000 hours and then performing voltage treatment based on JIS C 5101-4 clause 4.1 at 20°C, they shall meet the requirements listed at right.	Capacitance change	Within ±20% of the initial capacitance value
		tan δ	300% or less than the initial specified value
		Leakage current	Less than or equal to the initial specified value
Marking	Printed with white color letter on black sleeve		

## Drawing

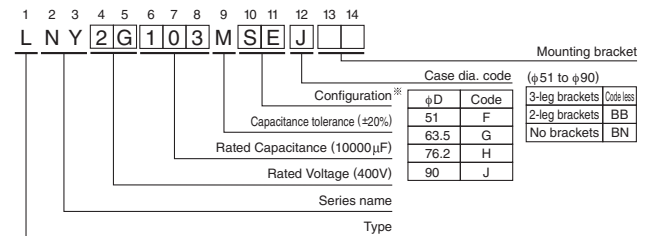


※ B  
3-leg brackets for φ90 capacitors have different hole shapes from the ordinary ones illustrated below.



Note) The brackets will be supplied in the separate box.

## Type numbering system (Example: 400V 10000µF)



※ Configuration

Cr (III) Plating (RoHS compliant)
SE

Please refer to page 324 for schematic of dimensions.  
※ Please contact to us if PVCless products are required.

### ● Dimension of terminal pitch (W) and length (ℓ) and Nominal dia. of bolt (mm)

φD	W	ℓ	α	Nominal dia. of bolt
51	22.0	6	3	M5
63.5	28.6	6	3	M5
76.2	31.8	6	3	M5
90	31.8	6	3	M5

### ● Dimension of mounting bracket (mm)

Symbol	3-Leg				2-Leg			
	51	63.5	76.2	90	51	63.5	76.2	90
P	32.5	38.1	44.5	50.8	33.2	40.5	46.5	53
A	38.5	43	49.2	58.5	40	46.5	53	59
T	7.5	8.0	7.0	8.0	6.0	7.0	6.0	6.0
S	5.0	5.0	5.0	5.0	4.5	4.5	4.5	4.5
U	12	14	14	18	14	14	14	14
θ	60	60	60	60	30	30	30	30
H	20	25	30	35	25	35	35	35
h	15	20	24	25	15	20	20	20

● Dimension table in next page.

## LNy

### ■ Dimensions

350V (2V)					
Cap. (μF)	Size φD × L (mm)	Rated ripple (Arms)	tan δ	Leakage Current (mA)	Code
1500	51 × 60	9.3	0.25	2.17	LNy2V152MSEF
1800	51 × 70	10.0	0.25	2.38	LNy2V182MSEF
2200	51 × 80	11.1	0.25	2.63	LNy2V222MSEF
2700	51 × 90	12.2	0.25	2.92	LNy2V272MSEF
	63.5 × 65	11.9	0.25	2.92	LNy2V272MSEG
3300	51 × 105	13.8	0.25	3.22	LNy2V332MSEF
	63.5 × 75	13.1	0.25	3.22	LNy2V332MSEG
3900	51 × 130	14.8	0.25	3.50	LNy2V392MSEF
	63.5 × 80	14.1	0.25	3.50	LNy2V392MSEG
4700	51 × 140	15.9	0.25	3.85	LNy2V472MSEF
	63.5 × 90	15.8	0.25	3.85	LNy2V472MSEG
	76.2 × 70	15.7	0.25	3.85	LNy2V472MSEH
5600	63.5 × 100	17.1	0.25	4.20	LNy2V562MSEG
	76.2 × 85	17.0	0.25	4.20	LNy2V562MSEH
6800	63.5 × 125	19.2	0.25	4.63	LNy2V682MSEG
	76.2 × 95	18.8	0.25	4.63	LNy2V682MSEH
8200	63.5 × 145	20.6	0.25	5.00	LNy2V822MSEG
	76.2 × 105	20.2	0.25	5.00	LNy2V822MSEH
10000	63.5 × 165	23.2	0.25	5.00	LNy2V103MSEG
	76.2 × 125	23.5	0.25	5.00	LNy2V103MSEH
	90 × 95	23.5	0.25	5.00	LNy2V103MSEJ
12000	76.2 × 150	24.0	0.25	5.00	LNy2V123MSEH
	90 × 110	24.1	0.25	5.00	LNy2V123MSEJ
15000	76.2 × 190	28.0	0.25	5.00	LNy2V153MSEH
	90 × 140	29.2	0.25	5.00	LNy2V153MSEJ
18000	76.2 × 210	30.2	0.25	5.00	LNy2V183MSEH
	90 × 155	31.1	0.25	5.00	LNy2V183MSEJ
22000	90 × 190	35.4	0.25	5.00	LNy2V223MSEJ

400V (2G)					
Cap. (μF)	Size φD × L (mm)	Rated ripple (Arms)	tan δ	Leakage Current (mA)	Code
1000	51 × 60	6.4	0.25	1.90	LNy2G102MSEF
1200	51 × 65	7.1	0.25	2.08	LNy2G122MSEF
1500	51 × 75	8.1	0.25	2.32	LNy2G152MSEF
1800	51 × 85	8.7	0.25	2.55	LNy2G182MSEF
	63.5 × 65	9.1	0.25	2.55	LNy2G182MSEG
2200	51 × 95	9.6	0.25	2.81	LNy2G222MSEF
	63.5 × 75	10.1	0.25	2.81	LNy2G222MSEG
2700	51 × 115	10.5	0.25	3.12	LNy2G272MSEF
	63.5 × 85	11.6	0.25	3.12	LNy2G272MSEG
3300	51 × 145	12.4	0.25	3.45	LNy2G332MSEF
	63.5 × 95	13.0	0.25	3.45	LNy2G332MSEG
3900	51 × 170	13.8	0.25	3.75	LNy2G392MSEF
	63.5 × 105	14.2	0.25	3.75	LNy2G392MSEG
	76.2 × 85	14.6	0.25	3.75	LNy2G392MSEH
4700	63.5 × 125	16.1	0.25	4.11	LNy2G472MSEG
	76.2 × 95	16.2	0.25	4.11	LNy2G472MSEH
5600	63.5 × 140	16.9	0.25	4.49	LNy2G562MSEG
	76.2 × 105	17.6	0.25	4.49	LNy2G562MSEH
6800	63.5 × 165	19.1	0.25	4.95	LNy2G682MSEG
	8200	63.5 × 210	21.2	0.25	5.00
76.2 × 150		21.2	0.25	5.00	LNy2G822MSEH
90 × 120		21.0	0.25	5.00	LNy2G822MSEJ
10000	76.2 × 170	22.4	0.25	5.00	LNy2G103MSEH
	90 × 130	22.0	0.25	5.00	LNy2G103MSEJ
12000	76.2 × 220	26.0	0.25	5.00	LNy2G123MSEH
	90 × 155	26.0	0.25	5.00	LNy2G123MSEJ
15000	90 × 190	28.3	0.25	5.00	LNy2G153MSEJ
18000	90 × 230	30.6	0.25	5.00	LNy2G183MSEJ

450V (2W)					
Cap. (μF)	Size φD × L (mm)	Rated ripple (Arms)	tan δ	Leakage Current (mA)	Code
820	51 × 60	4.9	0.25	1.82	LNy2W821MSEF
1000	51 × 70	5.5	0.25	2.01	LNy2W102MSEF
1200	51 × 75	6.0	0.25	2.20	LNy2W122MSEF
1500	51 × 85	6.8	0.25	2.46	LNy2W152MSEF
	63.5 × 65	7.9	0.25	2.46	LNy2W152MSEG
1800	51 × 95	7.9	0.25	2.70	LNy2W182MSEF
	63.5 × 75	8.9	0.25	2.70	LNy2W182MSEG
2200	51 × 125	9.2	0.25	2.98	LNy2W222MSEF
	63.5 × 85	9.8	0.25	2.98	LNy2W222MSEG
2700	51 × 145	10.3	0.25	3.31	LNy2W272MSEF
	63.5 × 90	10.8	0.25	3.31	LNy2W272MSEG
3300	51 × 170	11.1	0.25	3.66	LNy2W332MSEF
	63.5 × 105	12.0	0.25	3.66	LNy2W332MSEG
	76.2 × 85	12.6	0.25	3.66	LNy2W332MSEH
3900	63.5 × 125	13.5	0.25	3.97	LNy2W392MSEG
	76.2 × 95	14.0	0.25	3.97	LNy2W392MSEH
4700	63.5 × 145	15.2	0.25	4.36	LNy2W472MSEG
	76.2 × 105	15.6	0.25	4.36	LNy2W472MSEH
5600	63.5 × 165	17.0	0.25	4.76	LNy2W562MSEG
	76.2 × 125	17.6	0.25	4.76	LNy2W562MSEH
6800	63.5 × 210	19.1	0.25	5.00	LNy2W682MSEG
	76.2 × 150	19.6	0.25	5.00	LNy2W682MSEH
	90 × 120	19.5	0.25	5.00	LNy2W682MSEJ
8200	76.2 × 170	20.1	0.25	5.00	LNy2W822MSEH
	90 × 130	20.1	0.25	5.00	LNy2W822MSEJ
10000	76.2 × 210	23.0	0.25	5.00	LNy2W103MSEH
	90 × 155	22.9	0.25	5.00	LNy2W103MSEJ
12000	90 × 190	26.0	0.25	5.00	LNy2W123MSEJ
15000	90 × 220	29.6	0.25	5.00	LNy2W153MSEJ

### ● Frequency coefficient of rated ripple current

Frequency (Hz)	50	60	120	360	1k	10k or more
Coefficient	0.80	0.82	1.00	1.20	1.35	1.40

Rated ripple current (Arms) at 85°C 120Hz