

**CERAMIC ANTENNA (CIRCULAR POLARIZATION PIN FEED TYPE)
FOR GLOBAL POSITIONING SYSTEMS (GPS) (1.575 GHz)**

Product Specification¹

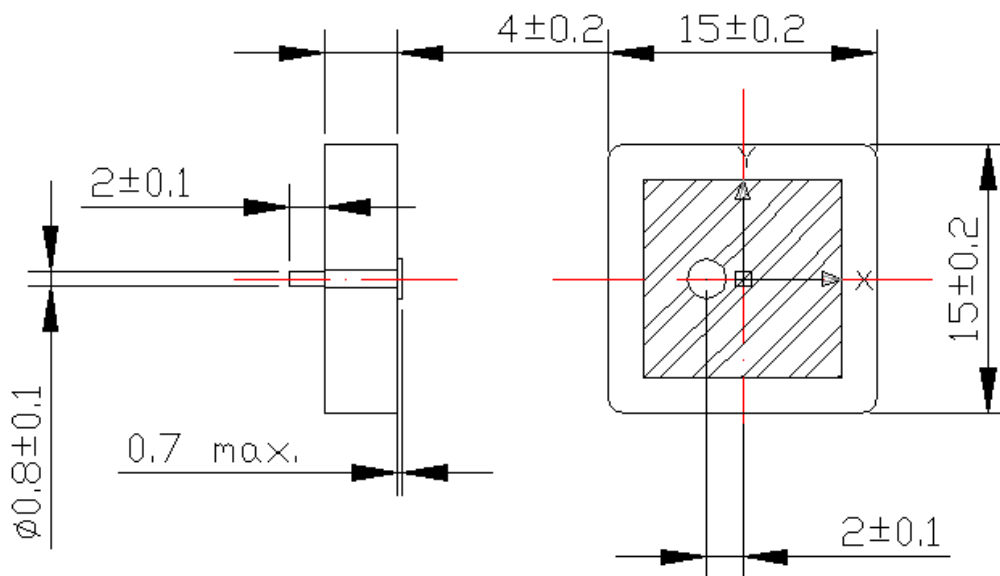
QUICK REFERENCE DATA

Central Frequency	1.575 GHz*
Bandwidth	8 MHz min**
Gain	2.5 dBi Max**
VSWR	2.0 max
Polarization	Right Hand Circular Polarization
Axis Ratio	less than 3dB for the centre frequency
Impedance	50Ω
Operating Temperature	-55~125 °C



* Central frequency will shift 5 MHz down when a non-metal cover is placed
 ** Based on ground size 40 * 40 mm size

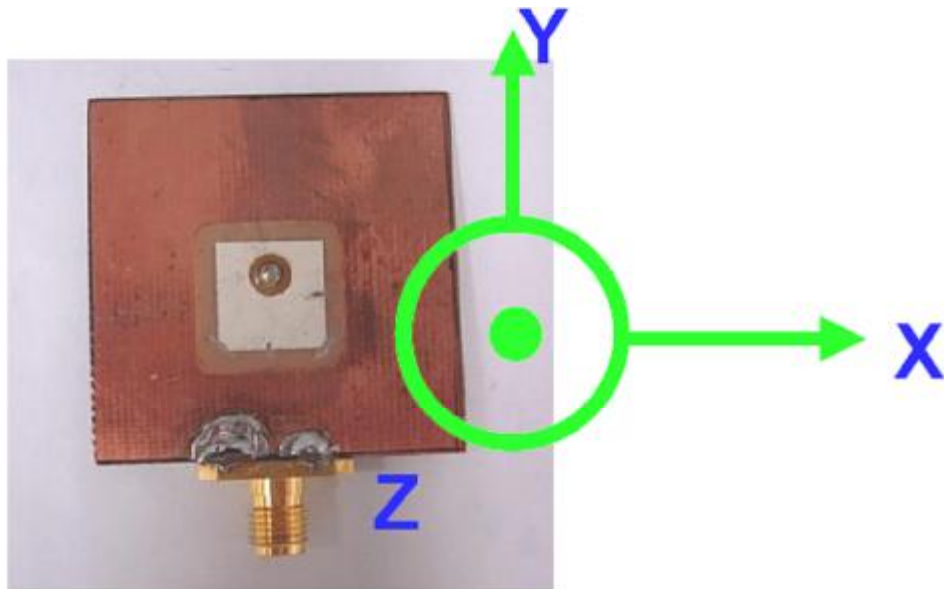
MECHANICAL DATA (15 * 15 * 4 mm)



¹ All the technical data and information contained herein are subject to change without prior notice

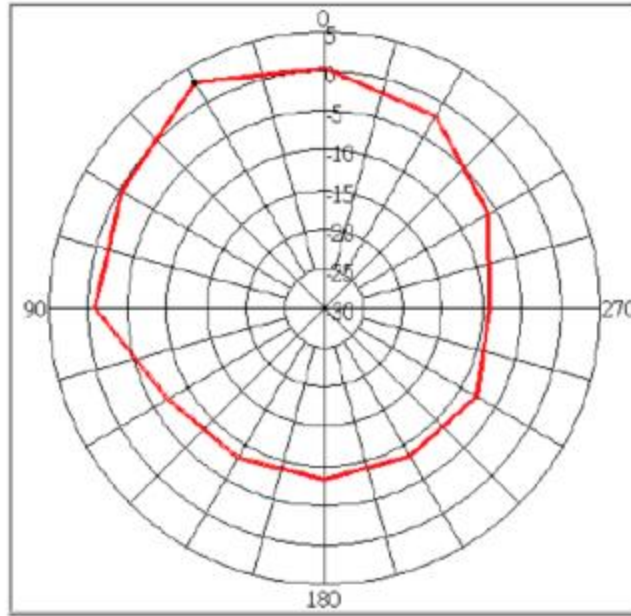
15*15*4 mm Pin Feed Ceramic Antenna for GPS Application				CAN 431342303158 1B				—	1	Dec. 23, 02	
								▶	2	Apr. 21, 03	
								—	3	Aug,2006	
BY / 製 者	Sunwiun.hu	SUPER / 原圖編號	C.T.Lee	TLL.S H/ 共頁	13	PAGE/ 頁	2	SH nr.	—	4	Nov. 2006
CHECK				DATE / 日期	March, 2007			—	▶	5	March, 2007

Appearance of Demo Board (40x40mm)

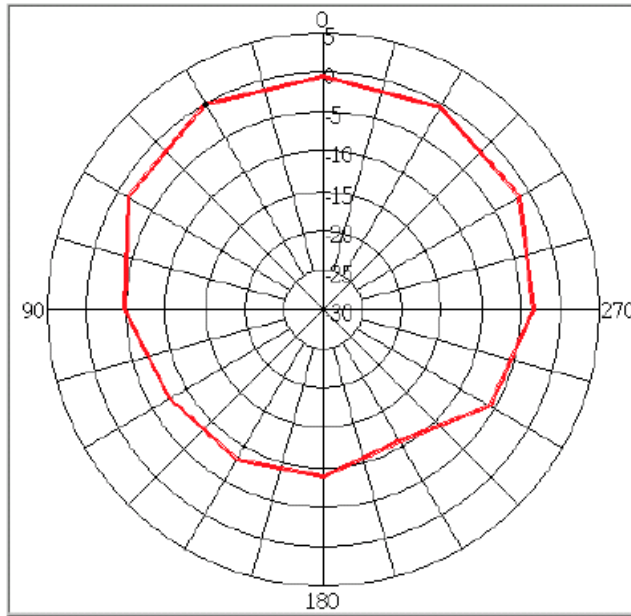


15*15*4 mm Pin Feed Ceramic Antenna for GPS Application				CAN 431342303158 1B				—	1	Dec. 23, 02	
								▶	2	Apr. 21, 03	
								—	3	Aug,2006	
BY / 製 定 者	Sunwiun.hu	SUPER / 原圖編號	C.T.Lee	TLL.S H/ 共頁	13	PAGE/ 頁	3	SH nr.	—	4	Nov. 2006
CHECK				DATE / 日期	March, 2007			—	▶	5	March, 2007

Directivity Chart (with 40 * 40 mm square Ground Plane)



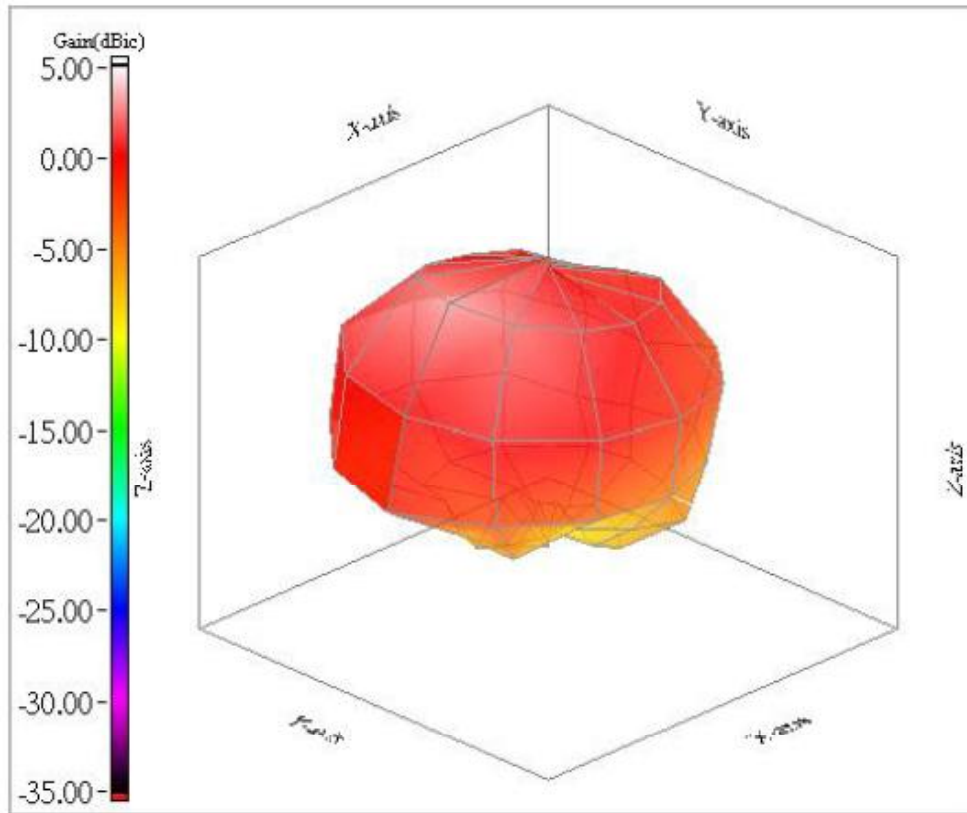
Circular gain 2D x-z plane pattern



Circular gain 2D y-z plane pattern

15*15*4 mm Pin Feed Ceramic Antenna for GPS Application				CAN 431342303158 1B				—	1	Dec. 23, 02	
								▶	2	Apr. 21, 03	
								—	3	Aug,2006	
BY / 製 定 者	Sunwiun.hu	SUPER / 原圖編號	C.T.Lee	TLL.S H/ 共頁	13	PAGE/ 頁	4	SH nr.	—	4	Nov. 2006
CHECK				DATE / 日期	March, 2007		—	▶	5	March, 2007	

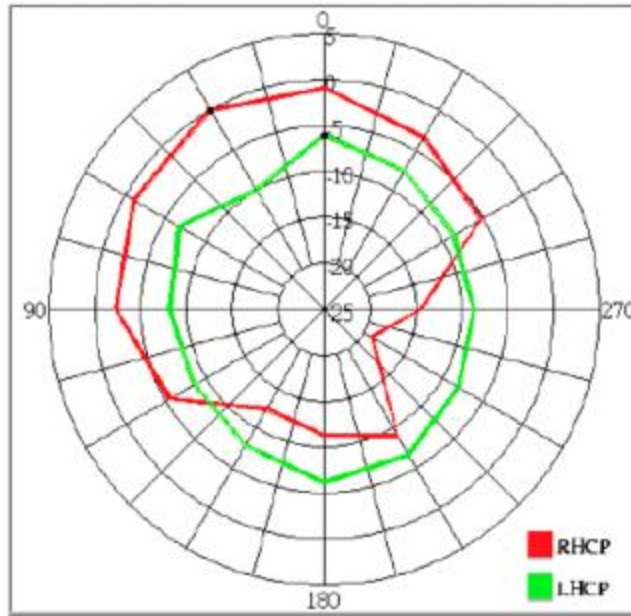
3D Radiation Pattern



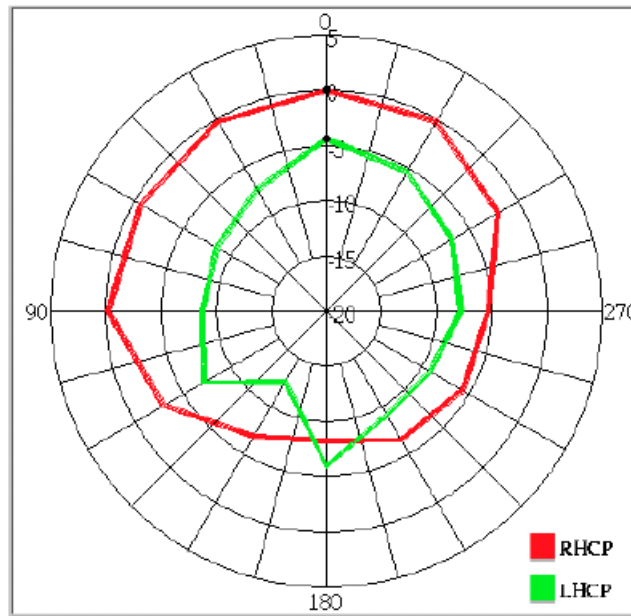
3D Circular Gain

15*15*4 mm Pin Feed Ceramic Antenna for GPS Application				CAN 431342303158 1B				—	1	Dec. 23, 02	
								▶	2	Apr. 21, 03	
								—	3	Aug,2006	
BY / 製 定 者	Sunwiun.hu	SUPER / 原圖編號	C.T.Lee	TLL.S H/ 共頁	13	PAGE/ 頁	5	SH nr.	—	4	Nov. 2006
CHECK				DATE / 日期	March, 2007			—	▶	5	March, 2007

The Measurement of AR value

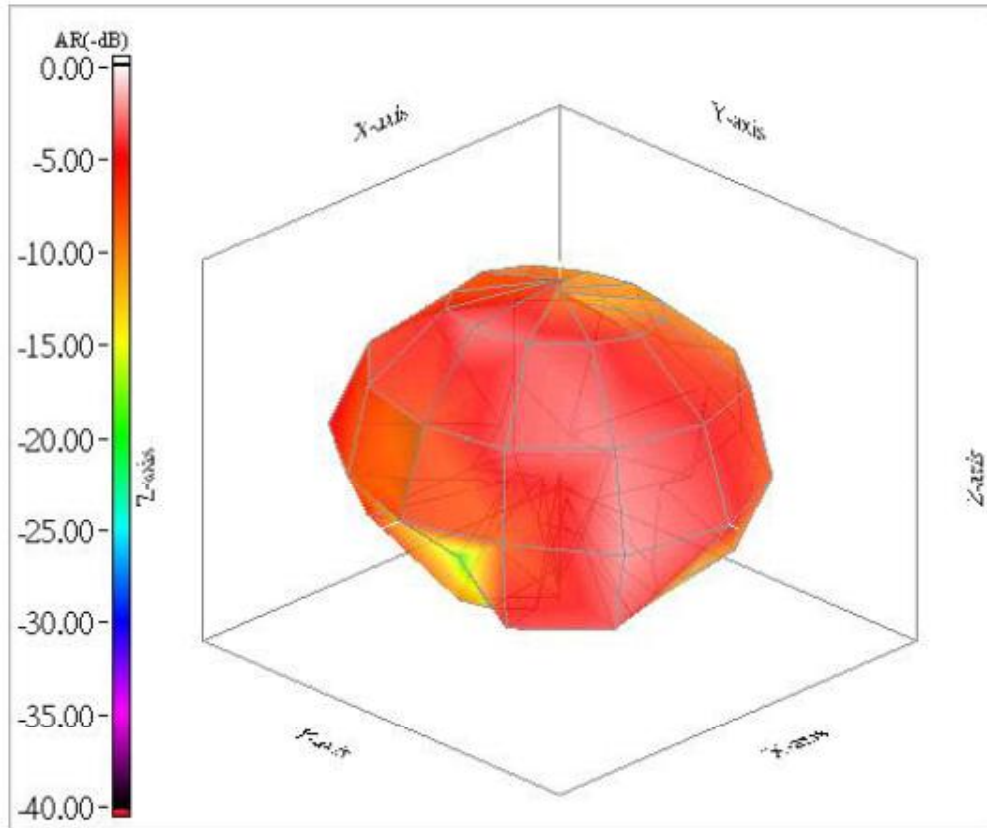


X-Z Plane



Y-Z Plane

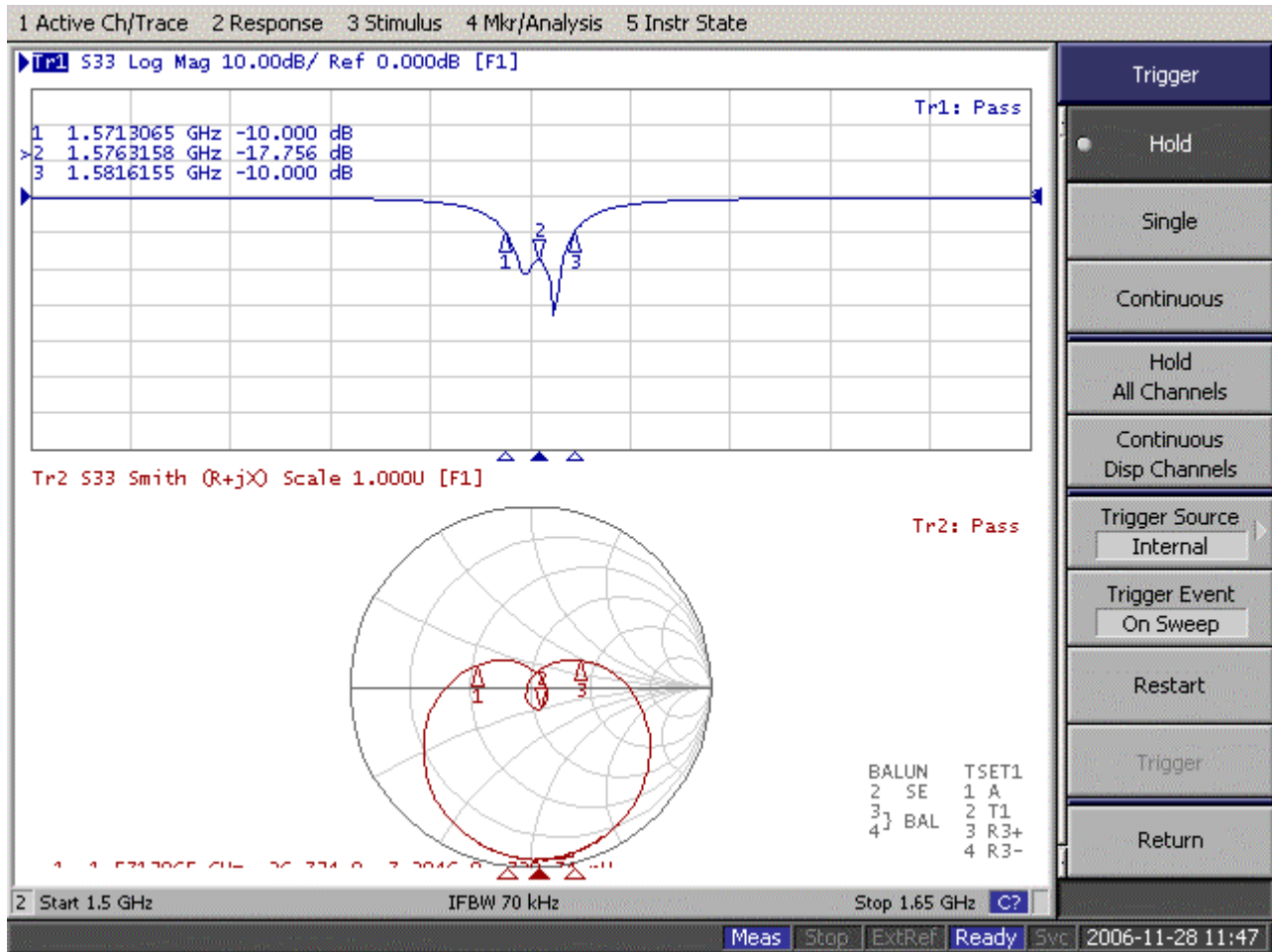
15*15*4 mm Pin Feed Ceramic Antenna for GPS Application				CAN 431342303158 1B				—	1	Dec. 23, 02	
								▶	2	Apr. 21, 03	
								—	3	Aug,2006	
BY / 製 定 者	Sunwiun.hu	SUPER / 原圖編號	C.T.Lee	TLL.S H / 共頁	13	PAGE/ 頁	6	SH nr.	—	4	Nov. 2006
CHECK				DATE / 日期	March, 2007			—	▶	5	March, 2007



3D Axial Ratio

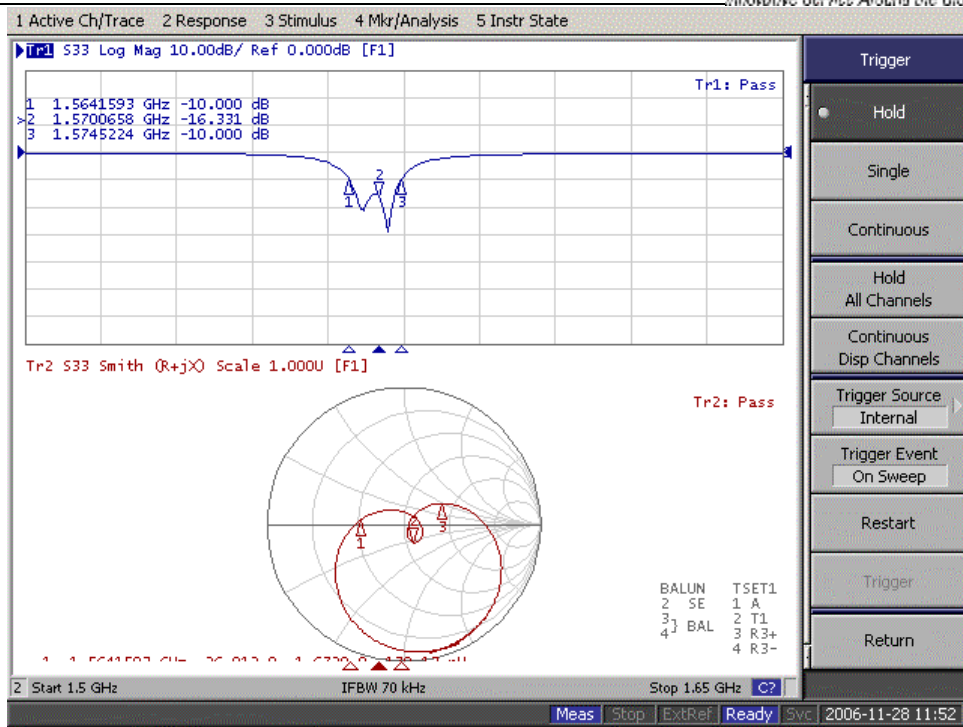
15*15*4 mm Pin Feed Ceramic Antenna for GPS Application				CAN 431342303158 1B				—	1	Dec. 23, 02	
								▶	2	Apr. 21, 03	
								—	3	Aug,2006	
BY / 製 定 者	Sunwiun.hu	SUPER / 原圖編號	C.T.Lee	TLL.S H/ 共頁	13	PAGE/ 頁	7	SH nr.	—	4	Nov. 2006
CHECK				DATE / 日期	March, 2007			—	▶	5	March, 2007

Return Loss and Smith Chart (with 40 * 40 mm square Ground Plane)

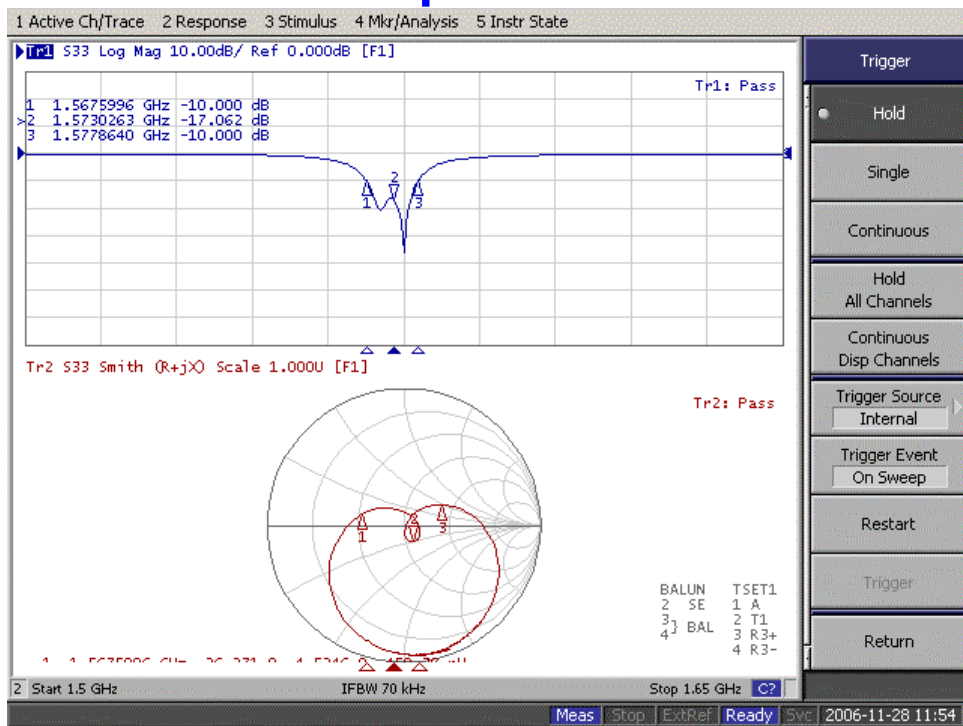


No tape

15*15*4 mm Pin Feed Ceramic Antenna for GPS Application				CAN 431342303158 1B				—	1	Dec. 23, 02	
								—	2	Apr. 21, 03	
								—	3	Aug,2006	
BY / 製 定 者	Sunwiun.hu	SUPER / 原圖編號	C.T.Lee	TLL.S H/ 共頁	13	PAGE/ 頁	8	SH nr.	—	4	Nov. 2006
CHECK				DATE / 日期	March, 2007			—	5	March, 2007	



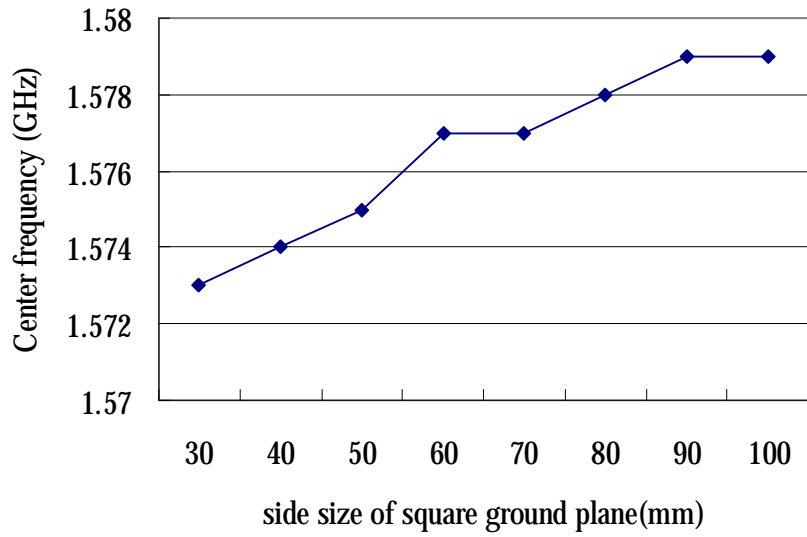
With tape and Liner



With tape but without Liner

15*15*4 mm Pin Feed Ceramic Antenna for GPS Application				CAN 431342303158 1B				—	1	Dec. 23, 02	
								—	2	Apr. 21, 03	
								—	3	Aug,2006	
BY / 製 定 者	Sunwiun.hu	SUPER / 原圖編號	C.T.Lee	TLL.S H/ 共頁	13	PAGE/ 頁	9	SH nr.	—	4	Nov. 2006
CHECK				DATE / 日期	March, 2007			—	5	March, 2007	

Center frequency v.s Ground plane (For example: 1.574GHz)



15*15*4 mm Pin Feed Ceramic Antenna for GPS Application				CAN 431342303158 1B				—	1	Dec. 23, 02	
								▶	2	Apr. 21, 03	
								—	3	Aug,2006	
BY / 製 定 者	Sunwiun.hu	SUPER / 原圖編號	C.T.Lee	TLL.S H/ 共頁	13	PAGE/ 頁	10	SH nr.	—	4	Nov. 2006
CHECK				DATE / 日期	March, 2007			—	▶	5	March, 2007

ORDERING INFORMATION: 12NC Ordering Code

The antennas may be ordered by using the Yageo ordering code. These code numbers can be determined by the following rules:

CAN43 13 4 23 03 158 1B
 F C M S T A P

F. Family Code

CAN 43 = Antenna

C. Packing Type Code

13 = bulk packing

M. Materials Code

4 = High Frequency Material

S. Size code

23 = 15*15*4 mm

T. Type

03 = Pin Feed Type 3

A. Working Frequency

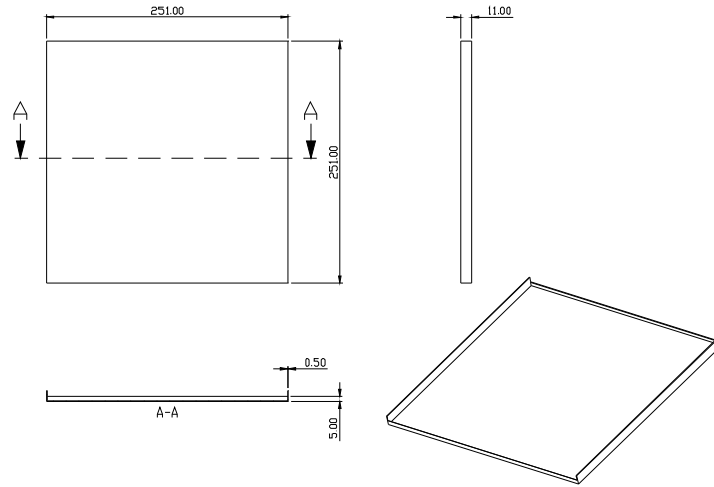
158 = 1.575 GHz

P. Packing Type Code

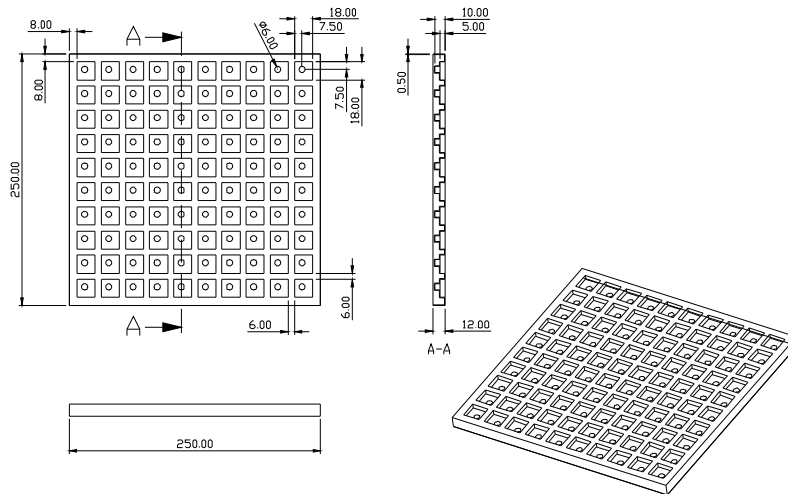
1B = bulk packing

15*15*4 mm Pin Feed Ceramic Antenna for GPS Application				CAN 431342303158 1B				—	1	Dec. 23, 02	
								▶	2	Apr. 21, 03	
								—	3	Aug,2006	
BY / 製 定 者	Sunwiun.hu	SUPER / 原圖編號	C.T.Lee	TLL.S H/ 共頁	13	PAGE/ 頁	11	SH nr.	—	4	Nov. 2006
CHECK				DATE / 日期	March, 2007		—	▶	5	March, 2007	

Packing Information



Cover Tray



Bottom Tray

<p>15*15*4 mm Pin Feed Ceramic Antenna for GPS Application</p>				<p>CAN 431342303158 1B</p>				—	1	Dec. 23, 02	
								—	2	Apr. 21, 03	
								—	3	Aug,2006	
BY / 製 定 者	Sunwiun.hu	SUPER / 原圖編號	C.T.Lee	TLL.S H/ 共頁	13	PAGE/ 頁	12	SH nr.	—	4	Nov. 2006
CHECK				DATE / 日期	March, 2007			—	5	March, 2007	

Revision Control:

Revision	Date	Content	Remark
1	Dec. 23, 2002	New Issued	
2	April 21, 2003	Dimension Tolerance, Packing style, and product picture	
3	Aug, 2006	Modification of measuring graph	
4	Nov. 2006	Modification of measuring graph	
5	March. 2007	Modification of radiation pattern and gain	

<p>15*15*4 mm Pin Feed Ceramic Antenna for GPS Application</p>				<p>CAN 431342303158 1B</p>				—	1	Dec. 23, 02	
								▶	2	Apr. 21, 03	
								—	3	Aug,2006	
BY / 製 定 者	Sunwiun.hu	SUPER / 原圖編號	C.T.Lee	TLL.S H/ 共頁	13	PAGE/ 頁	13	SH nr.	—	4	Nov. 2006
CHECK				DATE / 日期	March, 2007			—	▶	5	March, 2007