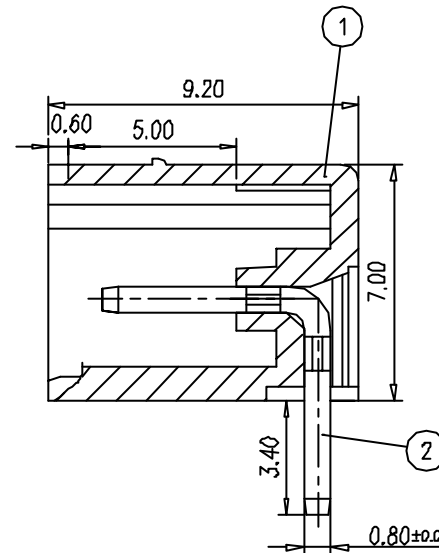


P.C.B. LAYOUT(REF)

NOTES:

1. Rating: 300V BA (IEC 125V 12A)
PITCH: 3.50mm
2. Insulation Withstands Voltage:
AC 1000V/MIN
3. Insulation Resistance:
1000MΩ or more at DC500V
4. Using Temperature Range:
-40°C~+130°C
5. Undimensioned Tolerances:

—	∩	∇	0.05/10
⊥	//	≡	0.2/10
PITCH ERROR			0.05/10
UNDIMENSIONED TOLERANCES			±0.3



SECTION A-A

P	2	3	4	5	6	7	8	9
U	3.50	7.00	10.50	14.00	17.50	21.00	24.50	28.00
V	7.80	11.30	14.80	18.30	21.80	25.30	28.80	32.30
P	10	11	12	13	14	15	16	17
U	31.50	35.00	38.50	42.00	45.50	49.00	52.50	56.00
V	35.80	39.30	42.80	46.30	49.80	53.30	56.80	60.30
P	18	19	20	21	22	23	24	
U	59.50	63.00	66.50	70.00	73.50	77.00	80.50	
V	63.80	67.30	70.80	74.30	77.80	81.30	84.80	

Tolerances for PITCH ERROR

2	SOLDER PIN	0070B00200	P	COPPER	Tin Plated
1	HOUSING	0080A6XX00	1	PBT	GREEN
ITEM	NAME OF PART	NO. OF PART	Q'TY	MATERIAL	NOTES
DWG.	? ?	DATE	99,10,20	UNITS	MM SHEET/OF 1/2
CHK.		DATE		SCALE	6:1 (:)
APP.		DATE			
				NAME	20.155MH/XX
				DWG NO.	

△		YFY	02.11.19
REV.	CONTENT	CHK.	DATE

