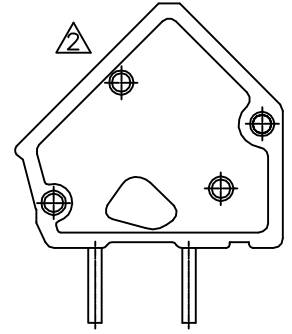
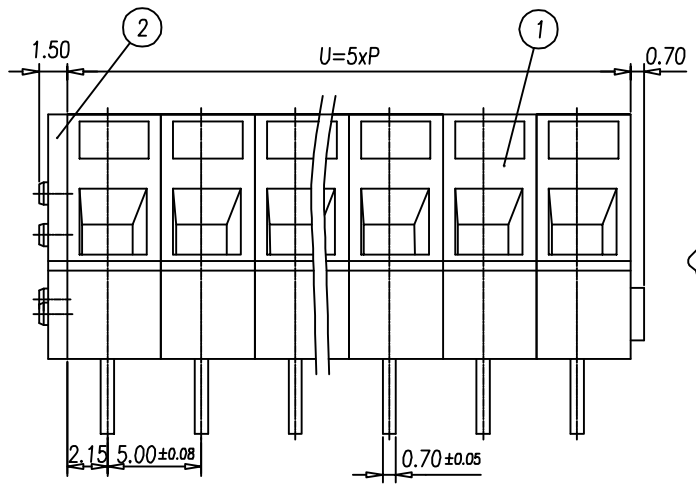
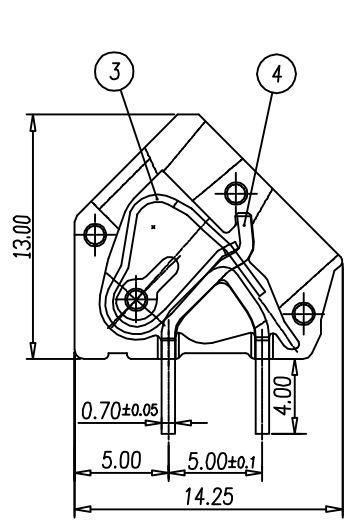


P.C.B. LAYOUT



- NOTES:
- 1. Rating: ~~300V 16A~~ 300V 15A \triangle
 - PITCH: 5.00mm
 - 2. Insulation Withstands Voltage: AC 2500V/MIN
 - 3. Insulation Resistance: 500M Ω or more at DC500V
 - 4. Using Temperature Range: -40°C~+105°C
 - 5. Suitable Electric Wire: AWG ~~28~14~~ 28~12
 - 6. Undimensioned Tolerances: \triangle

\square	\square	0.05/10
\perp	\parallel	0.2/10
PITCH ERROR		0.05/10
UNDIMENSIONS		TOLERANCES

4	SOLDER PIN	O119B00100	P	BRASS	Tin Plated
3	CLAMP	X000003100	P	Stainless Steel	
2	END COVER	O119L2XX00	1	PA66(V0)	M001
1	HOUSING	O119AOXX00	P	PA66(V0)	M001
ITEM	NAME OF PART	NO. OF PART	Q'TY	MATERIAL	NOTES

\triangle		WHM	04.09.03	DWG.	DATE	99,12,09	UNITS	MM	SHEET/OF	1 / 2
\triangle		YFY	03.12.30	CHK.	DATE		SCALE	3.5:1 (:)	\oplus	\square
\triangle		YFY	03.05.28	APP.	DATE		NAME	20.3000M/XX		
\triangle		YFY	02.12.23				DWG NO.			
REV.	CONTENT	CHK.	DATE	IMO						