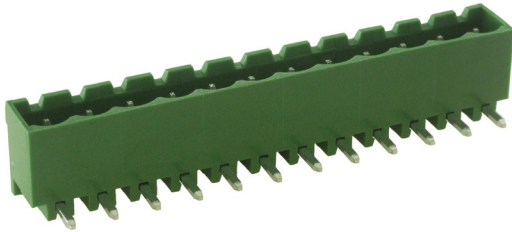


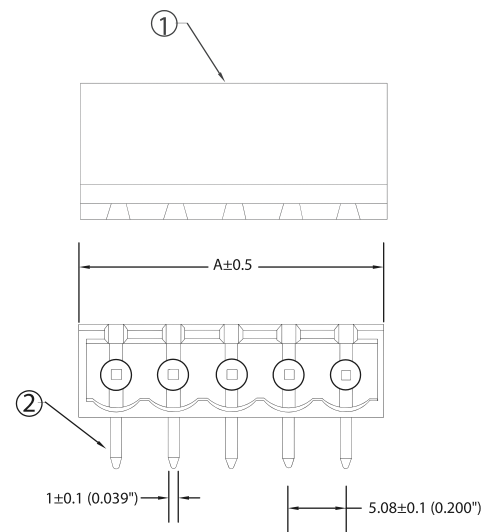
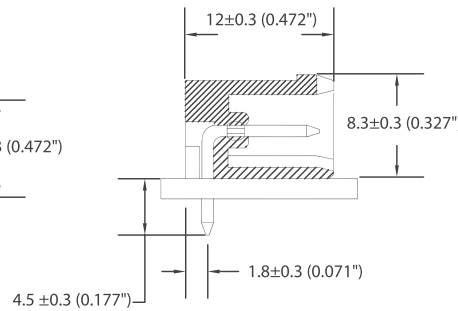
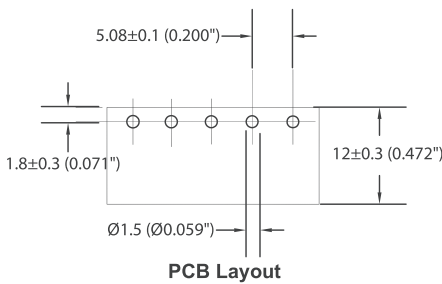
**RoHS
Compliant**



Specifications

Current Rating	: 16 Amp AC300V
Insulation Withstands Volt	: AC2000V min
Insulation Resistance	: >2000MΩ DC200V
Operation Temperature	: -40°C to +105°C
Wire Strip Length	: 10mm
Wire Range	: 14AWG to 24AWG
Screw Torque	: 7lb-inch

Diagram



Dimensions : Inches (Millimetres)

No.		Material	Plating/Finish
1.	Insulating body	Polyamide 66(UL94V-0)	-
2.	Cover	Polyamide 66(UL94V-0)	-
3.	Screw	Steel	Zicc+Cr ⁺³
4.	Wire guard	Steel	Zicc+Cr ⁺³
5.	Cage clamp	Steel	Zicc+Cr ⁺³
6.	Contact	Phosphor bronze	Tin plated

All Materials are lead free according to EU

Pitch : 5.08mm (0.2")		
Pole	A (mm)	A (inch)
2	11.76	0.463
3	16.84	0.663
4	21.92	0.863
5	27	1.063
6	32.08	1.263
7	37.16	1.463
8	42.24	1.663
9	47.32	1.863
10	52.4	2.063
12	62.56	2.463

Part Number Table

Description	Part Number
Pluggable Terminal Block, R/A, 5.08mm, 2 Pos.	ME030-50802
Pluggable Terminal Block, R/A, 5.08mm, 3 Pos.	ME030-50803
Pluggable Terminal Block, R/A, 5.08mm, 4 Pos.	ME030-50804
Pluggable Terminal Block, R/A, 5.08mm, 5 Pos.	ME030-50805
Pluggable Terminal Block, R/A, 5.08mm, 6 Pos.	ME030-50806
Pluggable Terminal Block, R/A, 5.08mm, 7 Pos.	ME030-50807
Pluggable Terminal Block, R/A, 5.08mm, 8 Pos.	ME030-50808
Pluggable Terminal Block, R/A, 5.08mm, 9 Pos.	ME030-50809
Pluggable Terminal Block, R/A, 5.08mm, 10 Pos.	ME030-50810
Pluggable Terminal Block, R/A, 5.08mm, 12 Pos.	ME030-50812

Important Notice : This data sheet and its contents (the "Information") belong to the members of the AVNET group of companies (the "Group") or are licensed to it. No licence is granted for the use of it other than for information purposes in connection with the products to which it relates. No licence of any intellectual property rights is granted. The Information is subject to change without notice and replaces all data sheets previously supplied. The Information supplied is believed to be accurate but the Group assumes no responsibility for its accuracy or completeness, any error in or omission from it or for any use made of it. Users of this data sheet should check for themselves the Information and the suitability of the products for their purpose and not make any assumptions based on information included or omitted. Liability for loss or damage resulting from any reliance on the Information or use of it (including liability resulting from negligence or where the Group was aware of the possibility of such loss or damage arising) is excluded. This will not operate to limit or restrict the Group's liability for death or personal injury resulting from its negligence. Multicomp Pro is the registered trademark of Premier Farnell Limited 2019.