

Product Data Sheet



672 GP XX

Replace "XX" with 01 through 24 for number of poles
Terminal Block– Closed Back
30 Amps, 600 Volts (AC/DC)



(6 Pole shown)

Copper Wire Only

Wire Range with Wire Binding Screw: #10 - #14 AWG (solid recommended)

Application torque: 20 in. lbs

9/16" Centers

Electrical Ratings:

- 30A with Listed ring lug or unprepared wire, (Based on NEC Table 310-16, 75°C columns)
- 600 Volts AC/DC (UL 1059 Class C, User Group - General Industrial)
- Short Circuit Current Rating: 10,000A (Default)
- Approved for Factory and Field Wiring.

Mechanical Ratings:

- Storage and transportation temperature range: -35°C to 110°C (-31°F to 230°F)*
 - Maximum insulator base temperature: 150°C (302°F)* UL RTI
 - Flammability rating of insulator base: UL 94V-0
- * Use outside these ratings needs to be judged in the end-use application.

Materials:

- Connector (Contact): Brass, tin plated.
- Insulator base: Phenolic
- Drive screw (Rivet): Stainless steel
- Screw, #8-32 Binder head, Phil-Slot: Steel, nickel plated

Agency Approvals:

- UL Recognized, UL 1059 Terminal Block Standard, File No. XCFR2.E62806
- CSA Certified, CSA C22.2 No. 158, File No. LR19766
- CE compliant, IEC 60947-7-1

- RoHS Compliant

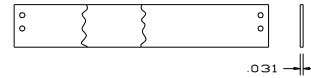
Wire Range:

Wire Size	Torque	Copper Wire Stranding Classes - Number of Strands		
		Solid	Class B	Class C
10	20 in. lbs		7	19
12	20 in. lbs		7	19
14	20 in. lbs		7	19

Suggested product mounting hardware: #8 fastener, torque to 15-20 in. lbs.

ACCESSORIES:

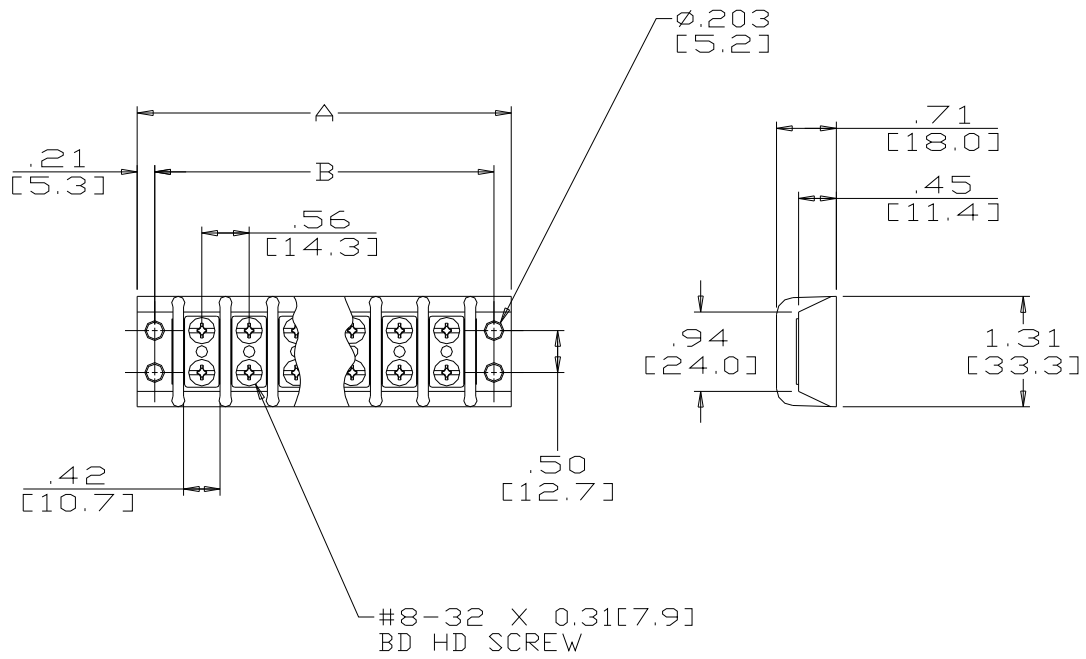
- Printing (for printing options, see Terminal Block Printing on website)
- Marking strips - sub mounted, black only (FB) (For Printing Options, see section on website)
- Marking strips – top mounted, white only (SW)



- Cover – top mounted. Order CW (white) or CB (Black). Can be printed. See website.



- Phil-Slot Brass Screw (PSB)



CATALOG #	# OF POLES	DIMENSIONS		CATALOG #	# OF POLES	DIMENSIONS	
		A	B			A	B
672 GP 01	1	1.54	1.13	672 GP 13	13	8.29	7.88
672 GP 02	2	2.10	1.69	672 GP 14	14	8.85	8.44
672 GP 03	3	2.66	2.25	672 GP 15	15	9.41	9.00
672 GP 04	4	3.22	2.81	672 GP 16	16	9.97	9.56
672 GP 05	5	3.78	3.38	672 GP 17	17	10.54	10.13
672 GP 06	6	4.35	3.94	672 GP 18	18	11.10	10.69
672 GP 07	7	4.91	4.50	672 GP 19	19	11.66	11.25
672 GP 08	8	5.47	5.06	672 GP 20	20	12.22	11.81
672 GP 09	9	6.04	5.63	672 GP 21	21	12.79	12.38
672 GP 10	10	6.60	6.19	672 GP 22	22	13.35	12.94
672 GP 11	11	7.16	6.75	672 GP 23	23	13.91	13.50
672 GP 12	12	7.72	7.31	672 GP 24	24	14.47	14.06

MM = Dim X 25.4

WWW.MARATHONSP.COM
1-419-352-8441

PDS 0247 REV A 2/21/08