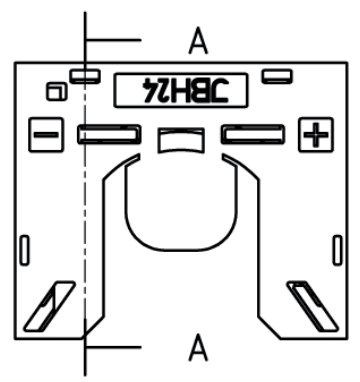
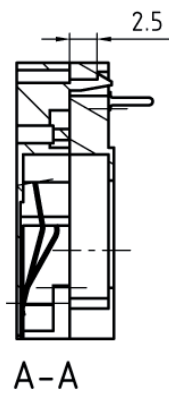
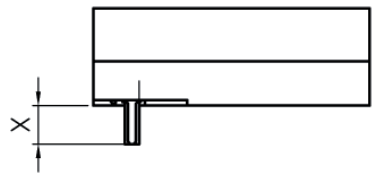
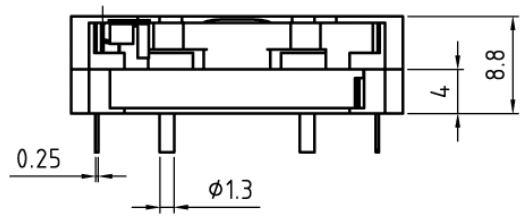
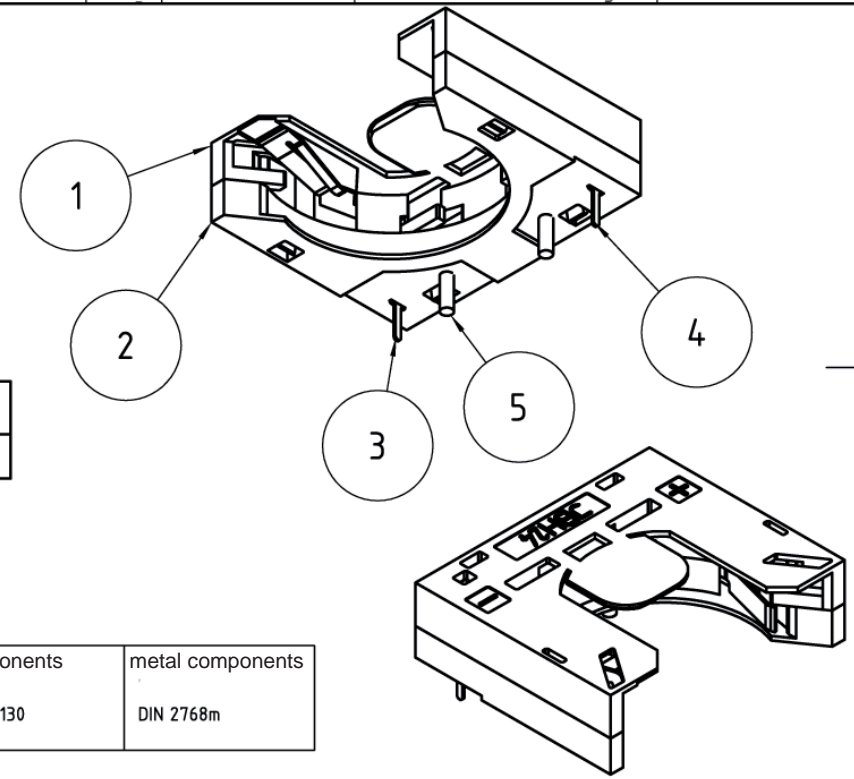


	JBH24-3,5
length X	3,5mm ±0,3



5	1	RZ030883	wire	CuZn37
4	1	8547a	contact 1	CuSn6, 2µm Soft Ni
3	1	8547#	contact 2	CuSn6, 2µm Soft Ni
1/ 2	1	37.33.04#	batteryholder - case bottom part / top part	Ultramid TKR 4365 G5 natur+ JN-MB0051



plastic components	metal components
DIN 16901- 130	DIN 2768m

scala 2:1			-	-
Name			batteryholder for CR2450 and CR2477	
Name			JBH24-3,5	
Bearb.	18.04.2006	konieczny		
Gepr.	18.04.06	Gonschorek		
Norm				
Jauch Quartz GmbH In der Lache 24 D- 78056 Villingen-Schwenningen			-	Bl