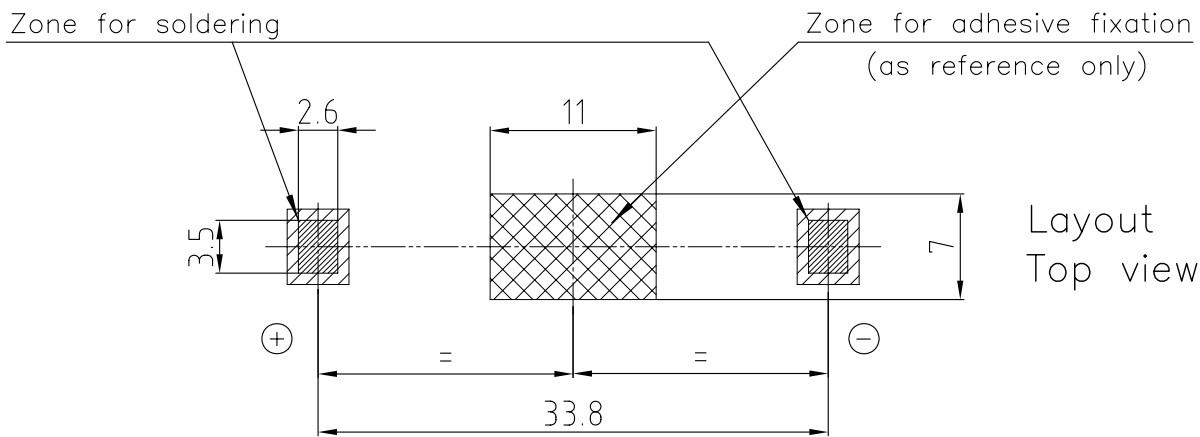
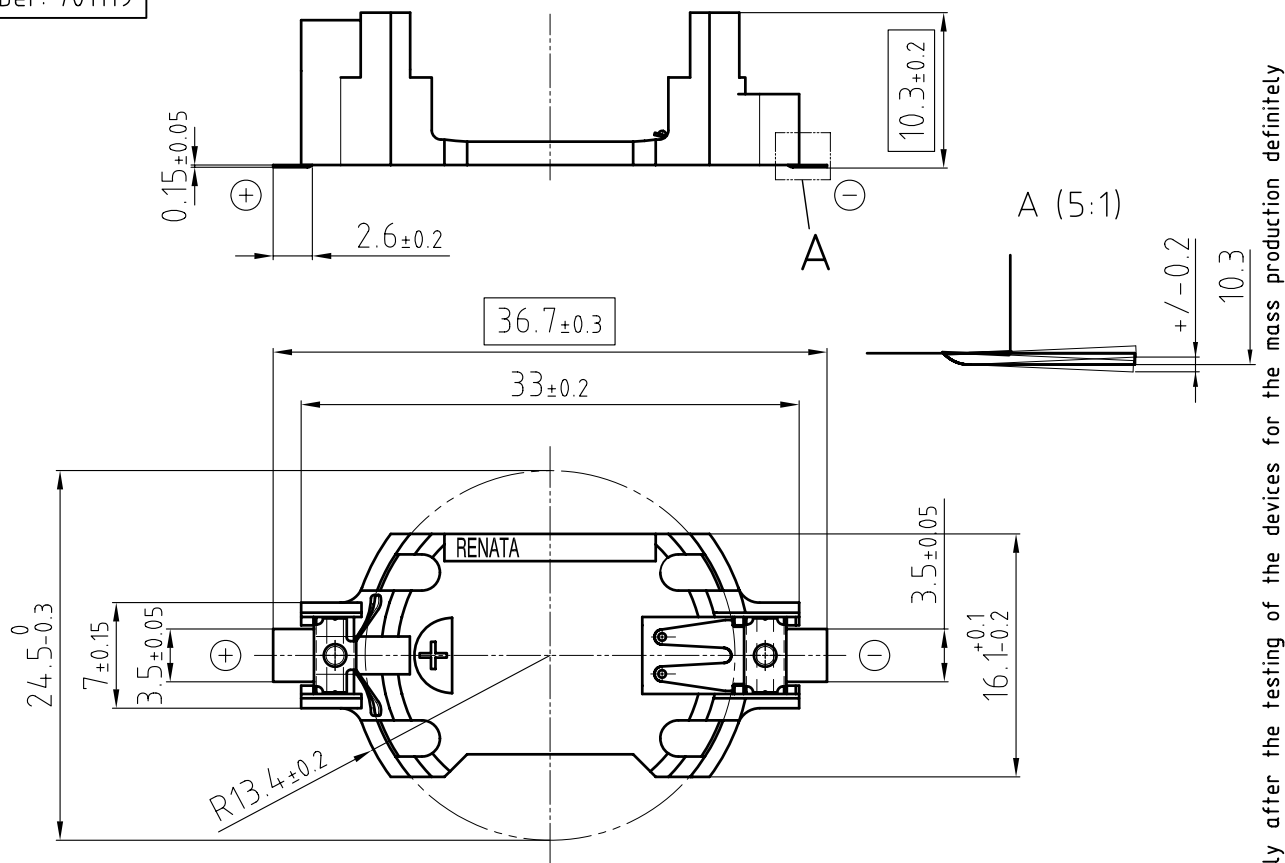


Art.-Number: 701119



- Samples can deviate in the execution from the serie.

- Dimensions and tolerances can be specified only after the testing of the devices for the mass production definitely

Holder material : heat resistant, glass-fiber reinforced LCP

Battery contacts : spring stainless steel 301 nickel plated throughout

Solder contacts : spring stainless steel 301 solder area tin-plated throughout, min. thickness 5µm

All framed values will be used for dimension checking !

Rev.	①	07.09.07	MCi	Rev.	④	30.10.17	PWU		Customer's Approval		
Rev.	②	24.10.07	SRI	Rev.	○				Date		
Rev.	③	15.09.10	PWU	Rev.	○				Signature		
Titel:								Scale	Drawn	25.01.05	SRI
SMTU2477N-LF								2:1	Checked	01.11.17	MDi
									Approved		
				CH-4452 Itingen Switzerland				3.8763.4-4			