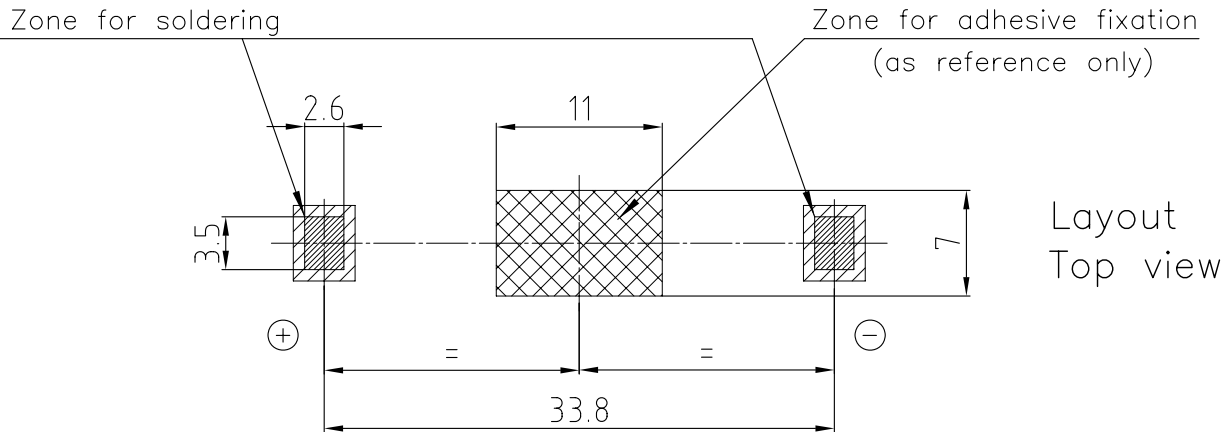
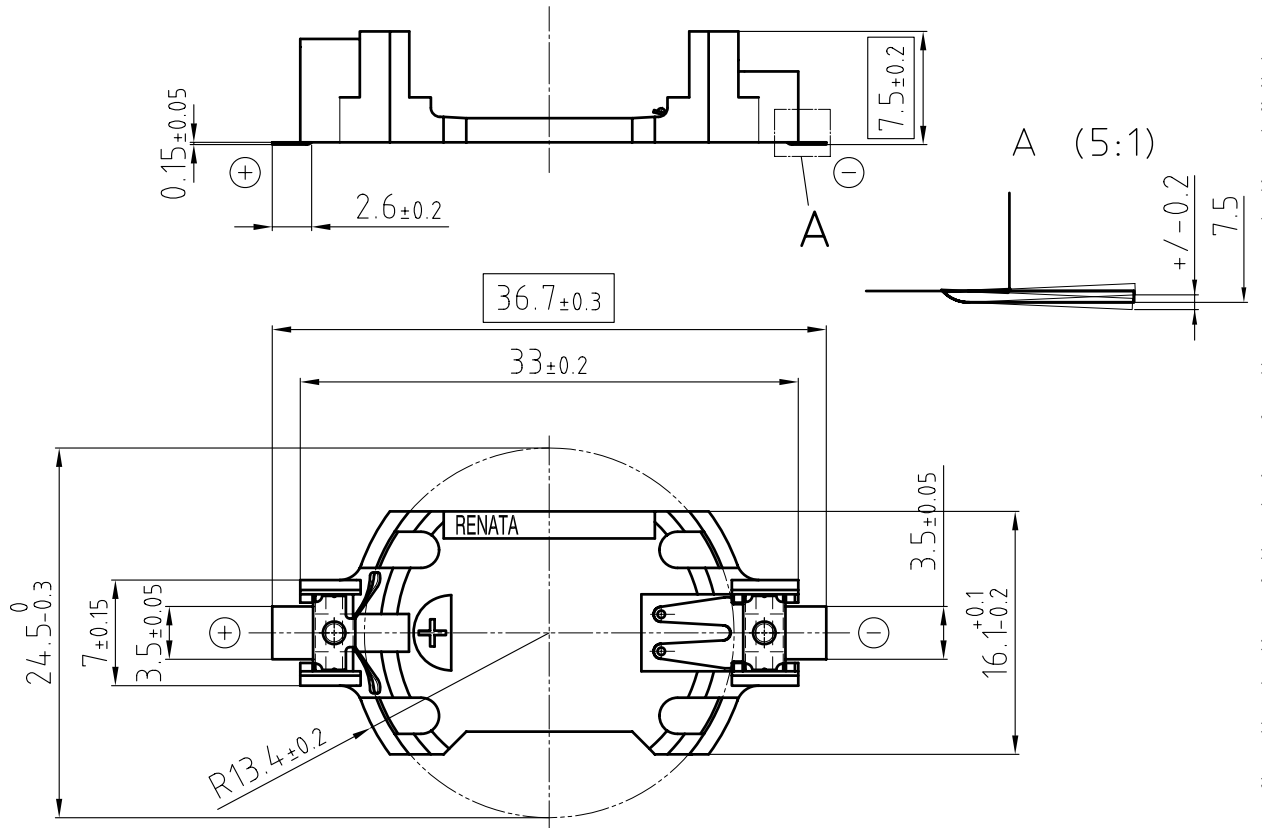


Art.-Number: 701118



- Samples can deviate in the execution from the serie.

- Dimensions and tolerances can be specified only after the testing of the devices for the mass production definitely

Holder material : heat resistant, glass-fiber reinforced LCP

Battery contacts : spring stainless steel 301 nickel plated throughout

Solder contacts : spring stainless steel 301 solder area tin-plated throughout, min. thickness 5µm

All framed values will be used for dimension checking !

Rev.	①	07.09.07	MCI	Rev.	④	15.09.10	PWu	Customer's Approval					
Rev.	②	24.10.07	SRI	Rev.	⑤	30.10.17	PWu					Date	
Rev.	③	18.12.07	SRI	Rev.	○							Signature	
Titel:								Scale	Drawn	25.01.05	SRI		
SMTU2450N-LF								2:1	Checked	01.11.17	MDi		
CH-4452 Itingen Switzerland								Approved					
								3.8762.4-5					