



Relays & Contactors > Relays > Signal Relays



Contact Arrangement: **1 Form C SPDT-CO**

Coil Magnetic System: **Monostable, Polarized**

Contact Current Rating: **1 A**

Performance Type: **High Sensitive**

Product Mount Type: **Printed Circuit Board**

Features

Configuration Features

Contact Special Features	Bifurcated/Twin Contacts
Contact Arrangement	1 Form C SPDT-CO
Contact Number of Poles	1

Electrical Characteristics

Insulation Initial Dielectric Between Open Contacts	500 Vrms
Contact Limiting Making Current	1 A
Contact Limiting Short-Time Current	1 A
Contact Limiting Continuous Current	1 A
Voltage Standing Wave Ration (HF Parameter)	1.06 @ 100MHz, 1.75 @ 900MHz
Insulation Initial Dielectric Between Contacts & Coil	1500 Vrms
Contact Limiting Breaking Current	1 A
Contact Switching Load (Min)	10mA @ .02V
Coil Resistance	370 Ω
Contact Current Rating	1 A
Contact Voltage Rating	125 VDC
Coil Power Rating DC	.068 W
Coil Voltage Rating	5 VDC
Contact Switching Voltage (Max)	150 VAC

Signal Characteristics

Isolation (HF Parameter)	-18dB @ 900MHz, -30dB @ 100MHz
--------------------------	--------------------------------

Insertion Loss (HF Parameter)	-.12dB @ 100MHz, -1.9dB @ 900MHz
-------------------------------	----------------------------------

Body Features

Product Weight	2 g[.0705 oz]
----------------	---------------

Contact Features

Contact Plating Material	Gold-Rhodium
--------------------------	--------------

Contact Material	PdNi
------------------	------

Termination Features

Relay Connection Type	PCB Termination
-----------------------	-----------------

Terminal Configuration	PCB Pins
------------------------	----------

Mechanical Attachment

Product Mount Type	Printed Circuit Board
--------------------	-----------------------

Dimensions

Insulation Clearance Between Contact & Coil	.75 mm[.03 in]
---	----------------

Insulation Creepage Between Contact & Coil	.75 mm[.03 in]
--	----------------

Product Width	7.6 mm[.299 in]
---------------	-----------------

Product Length	13 mm[.511 in]
----------------	----------------

Product Height	6.9 mm[.271 in]
----------------	-----------------

Usage Conditions

Environmental Category of Protection	RTIII
--------------------------------------	-------

Environmental Ambient Temperature (Max)	85 °C[85 °F]
---	--------------

Operating Temperature Range	-40 – 85 °C
-----------------------------	-------------

Operation/Application

Current Type	DC
--------------	----

Solder Process	Wave Solder
----------------	-------------

Coil Magnetic System	Monostable, Polarized
----------------------	-----------------------

Performance Type	High Sensitive
------------------	----------------

Packaging Features

Packaging Method	Box & Tube, Tube
------------------	------------------

Other

Length Class (Mechanical)	12 – 14 mm
---------------------------	------------

Environmental Ambient Temperature Class	70 – 85 °C
---	------------

Height Class (Mechanical)	6 – 7 mm
Coil Power Rating Class	0 – .1 W
Width Class (Mechanical)	6 – 8 mm
Contact Current Class	0 – 2 A

Product Compliance

For compliance documentation, visit the product page on [TE.com](#)>

EU RoHS Directive 2011/65/EU	Compliant
EU ELV Directive 2000/53/EC	Compliant
China RoHS 2 Directive MIIT Order No 32, 2016	No Restricted Materials Above Threshold
EU REACH Regulation (EC) No. 1907/2006	Current ECHA Candidate List: JUNE 2024 (241) Candidate List Declared Against: JUNE 2024 (241) Does not contain REACH SVHC
Halogen Content	Low Halogen - Br, Cl, F, I < 900 ppm per homogenous material. Also BFR/CFR/PVC Free
Solder Process Capability	Wave solder capable to 265°C

Product Compliance Disclaimer

This information is provided based on reasonable inquiry of our suppliers and represents our current actual knowledge based on the information they provided. This information is subject to change. The part numbers that TE has identified as EU RoHS compliant have a maximum concentration of 0.1% by weight in homogenous materials for lead, hexavalent chromium, mercury, PBB, PBDE, DBP, BBP, DEHP, DIBP, and 0.01% for cadmium, or qualify for an exemption to these limits as defined in the Annexes of Directive 2011/65/EU (RoHS2). Finished electrical and electronic equipment products will be CE marked as required by Directive 2011/65/EU. Components may not be CE marked. Additionally, the part numbers that TE has identified as EU ELV compliant have a maximum concentration of 0.1% by weight in homogenous materials for lead, hexavalent chromium, and mercury, and 0.01% for cadmium, or qualify for an exemption to these limits as defined in the Annexes of Directive 2000/53/EC (ELV). Regarding the REACH Regulation, the information TE provides on SVHC in articles for this part number is based on the latest European Chemicals Agency (ECHA) 'Guidance on requirements for substances in articles' posted at this URL: <https://echa.europa.eu/guidance-documents/guidance-on-reach>

Compatible Parts



Customers Also Bought



TE Part #TAD14747101-020
M12D4-MS-MS-FRNC TYPE B GREEN-2.0M



TE Part #350826-1
04P UMNL HDR ASSY PC 94VO



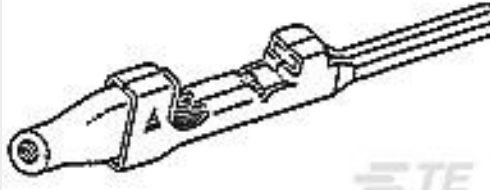
TE Part #826634-5
05P MODU 2 PIN HDR.



TE Part #1676474-2
RN 0805 9K53 0.1% 10PPM 1KRL



TE Part #8-1393215-1
V23057-B0006-A201



TE Part #175063-1
040 MULTILOCK TAB CONT. L/P



TE Part #1337669-2
7.54MM CSA BRAID M5 - M5 150MM

Documents

CAD Files

3D PDF

3D

Customer View Model

[ENG_CVM_CVM_1393774-1_C.2d_dxf.zip](#)

English

Customer View Model

[ENG_CVM_CVM_1393774-1_C.3d_igs.zip](#)

English

Customer View Model

[ENG_CVM_CVM_1393774-1_C.3d_stp.zip](#)

English

By downloading the CAD file I accept and agree to the [Terms and Conditions](#) of use.

Product Specifications

Product Specification

English

Definitions General Purpose Relays

English