

## General Specifications

### Motor Protection:

Auto Restart/Polarity Protection

### Insulation Resistance:

10M Ω or over with a DC500V Megger

### Dielectric Withstand Voltage: AC 700V 1s

### Allowable Ambient Temperature Range:

-10°C ~ +70°C (Operating)

-40°C ~ +70°C (Storage)

(non-condensing environment)

## Expected Life

25°C 70,000 Hours

## Material

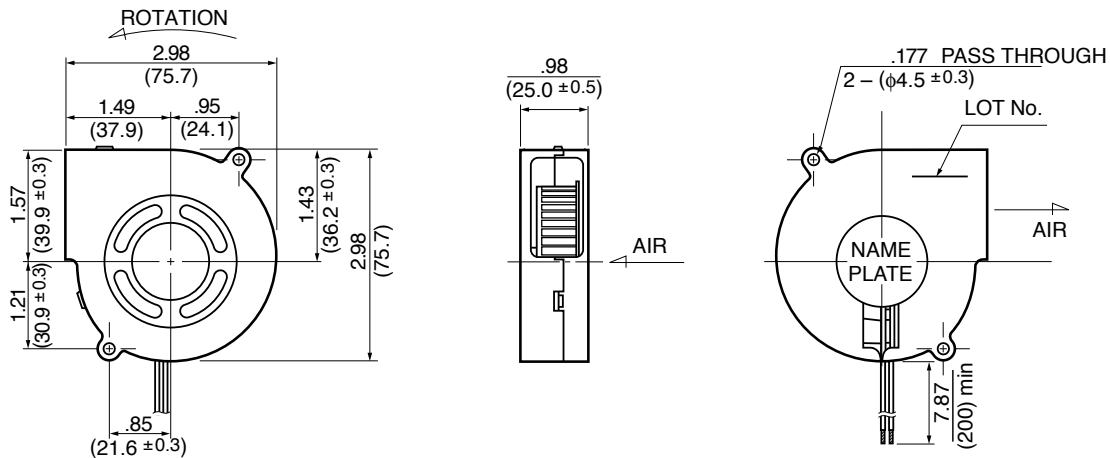
Casing : Plastic (Black) UL94V-0

Impeller : Plastic (Black) UL94V-0

Bearing : Ball Bearing

Lead Wire : UL1007, AWG26, +Red, -Black

## Outline



## Specifications

MODEL	LEGACY P/N	Rated Voltage	Operating Voltage	Current	Input Power	Speed	Max. Air Flow		Max. Static Pressure		Noise	Mass
		(V)	(V)	(A) <sup>*1</sup>	(W) <sup>*1</sup>	(min <sup>-1</sup> ) <sup>*1</sup>	CFM <sup>*1</sup>	(m <sup>3</sup> /min) <sup>*1</sup>	in H <sub>2</sub> O	(Pa) <sup>*1</sup>	(dB) <sup>*1</sup>	(g)
07525GA-12L-AA-00	BG0702-B043-000-00	12	6.0 ~ 13.8	0.16	1.92	3000	7.76	0.22	.37	94	39.0	90
07525GA-12M-AA-00	BG0702-B044-000-00	12	6.0 ~ 13.8	0.19	2.28	3300	8.47	0.24	.50	124	41.0	90
07525GA-12N-AA-00	BG0702-B045-000-00	12	6.0 ~ 13.8	0.25	3.00	3600	9.50	0.27	.61	153	43.0	90
07525GA-24L-AA-00	BG0702-B053-000-00	24	10.0 ~ 27.6	0.10	2.40	3000	7.76	0.22	.37	94	39.0	90
07525GA-24M-AA-00	BG0702-B054-000-00	24	10.0 ~ 27.6	0.11	2.64	3300	8.47	0.24	.50	124	41.0	90
07525GA-24N-AA-00	BG0702-B055-000-00	24	10.0 ~ 27.6	0.14	3.36	3600	9.50	0.27	.61	153	43.0	90

Rotation: Clockwise

Airflow Outlet: Air Out Over Struts

\*1: Average Values in Free Air

Note: PWM/Locked Rotor/Tach Available

## Characteristic Curves

